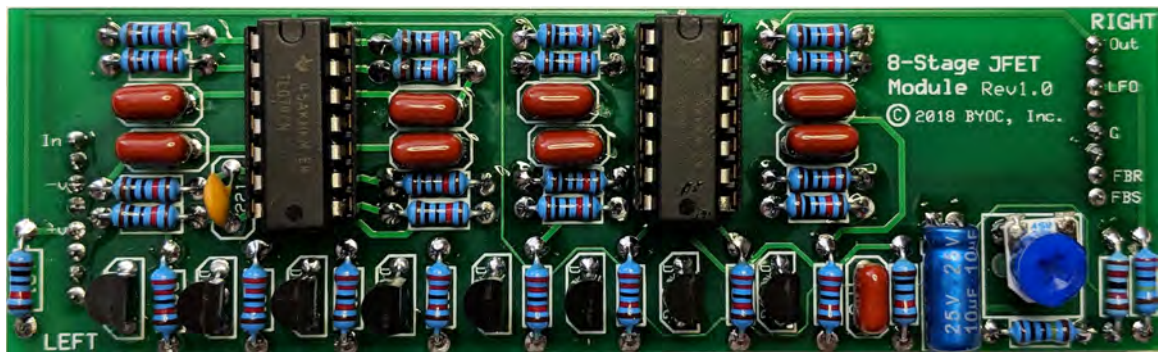


Build Your Own Clone Phase Royal 8-Stage JFET Phaser Module Instructions



Parts list for the Phase Royal 8-Stage JFET Phaser Module Pack

Resistors:

18 - 10k (Brown/Black/Black/Red/Brown)
1 - 12k (Brown/Red/Black/Red/Brown)
8 - 22k (Red/Red/Black/Orange/Brown)
1 - 1M (Brown/Black/Black/Orange/Brown)
1 - 2M2 (Red/Red/Black/Yellow/Brown)

Capacitors:

1 - 220p ceramic disc
9 - .047uF/473 Film Cap (May say "473" on the body)
1 - 10uF Electrolytic

IC:

2 - TL074 or similar quad opamp

Transistors:

8 - Your kit will include 2N5952 OR 2N5458 JFETs

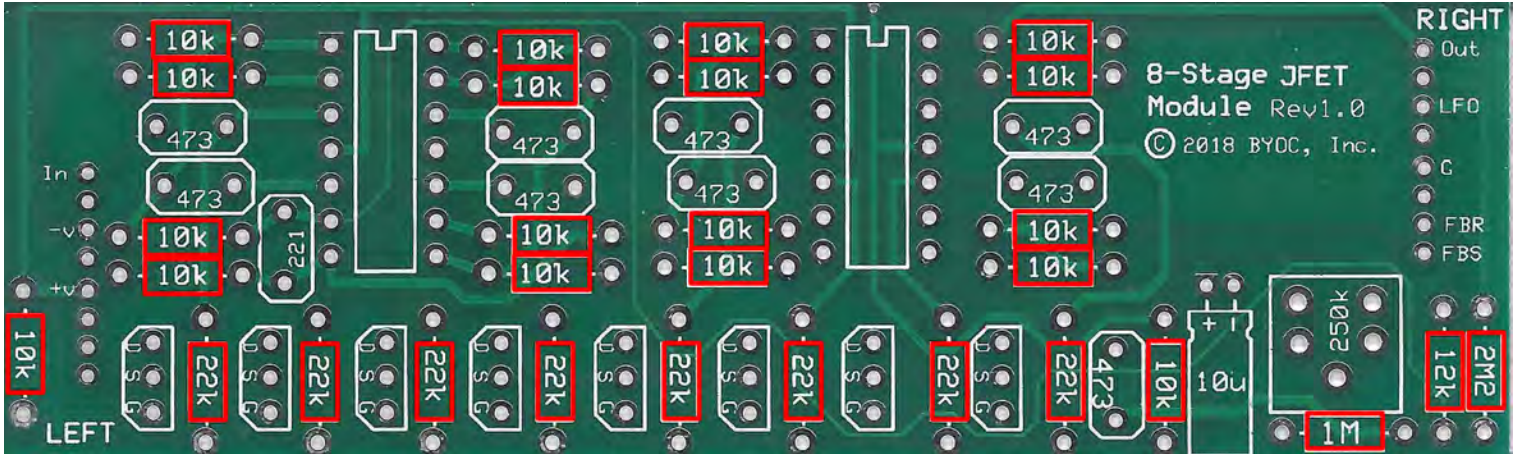
Potentiometer:

1 - 250k Trimpot

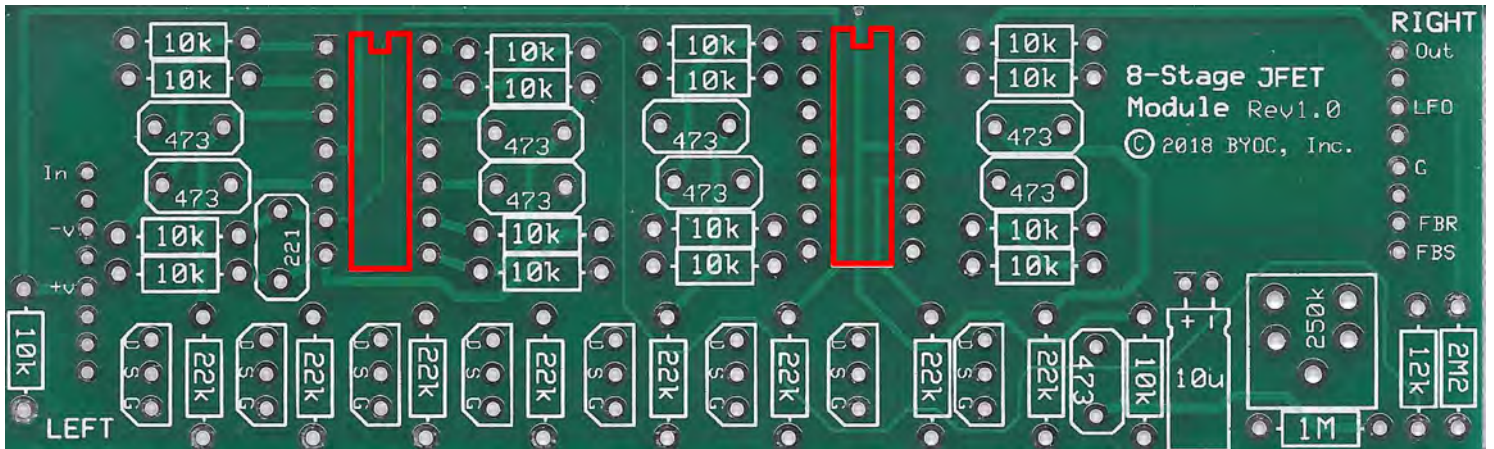
Hardware:

2 - DIP-14 Socket
4 - 1X4 pins

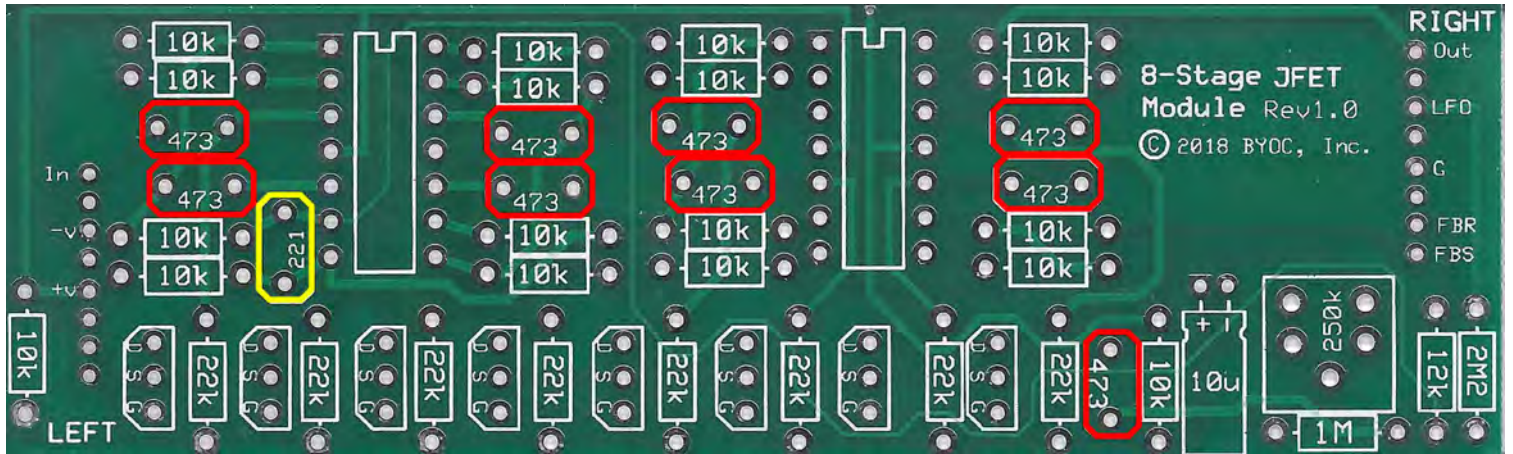
Step 1: Add the resistors. These are not polarized and can go in either direction.



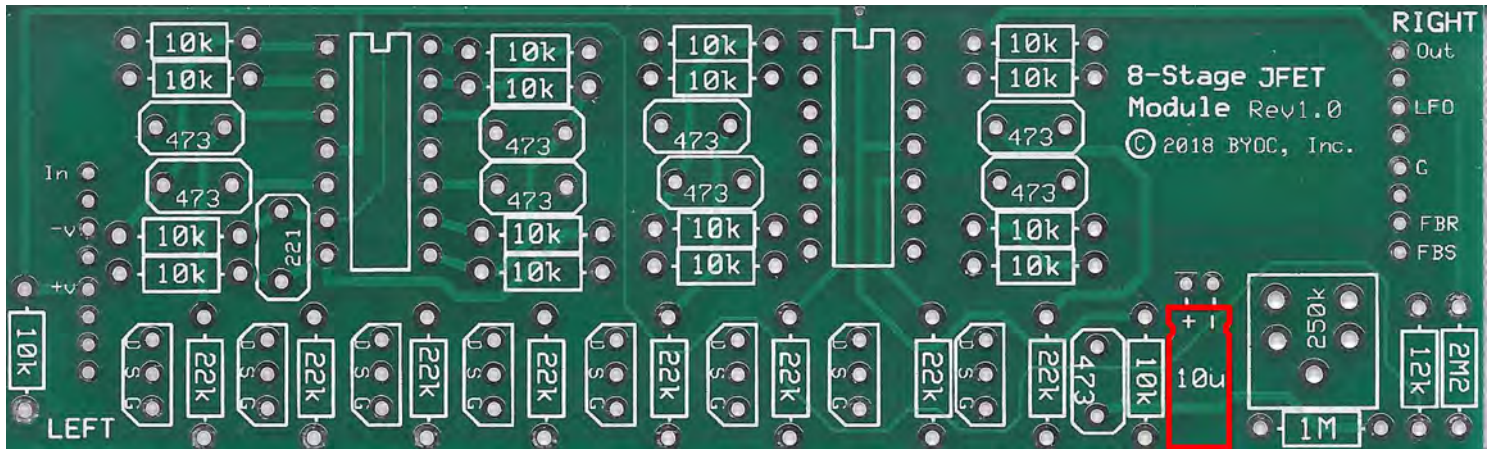
Step 2: Add the IC sockets. Be sure to match the notch on the sockets with the notch outline on the PCB screenprint.



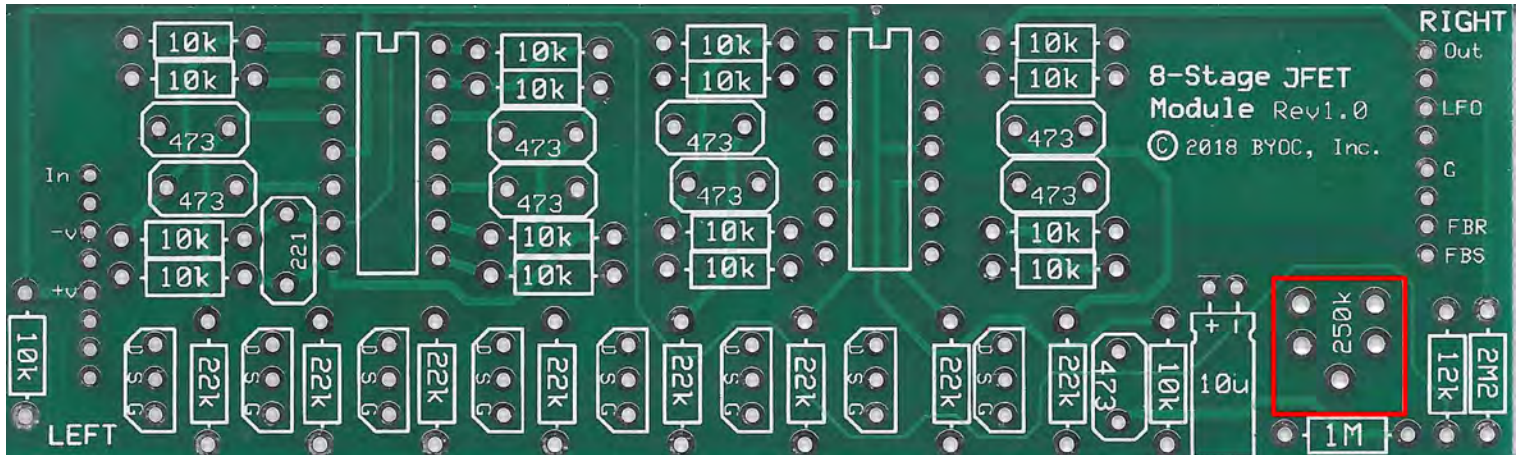
Step 4: Add the Film caps. These are not polarized and can be placed in either direction. The capacitor highlighted in yellow is the ceramic disc capacitor.



Step 5: Add the electrolytic capacitor. Before soldering, bend the capacitor so it lays flat along the screenprint outline.



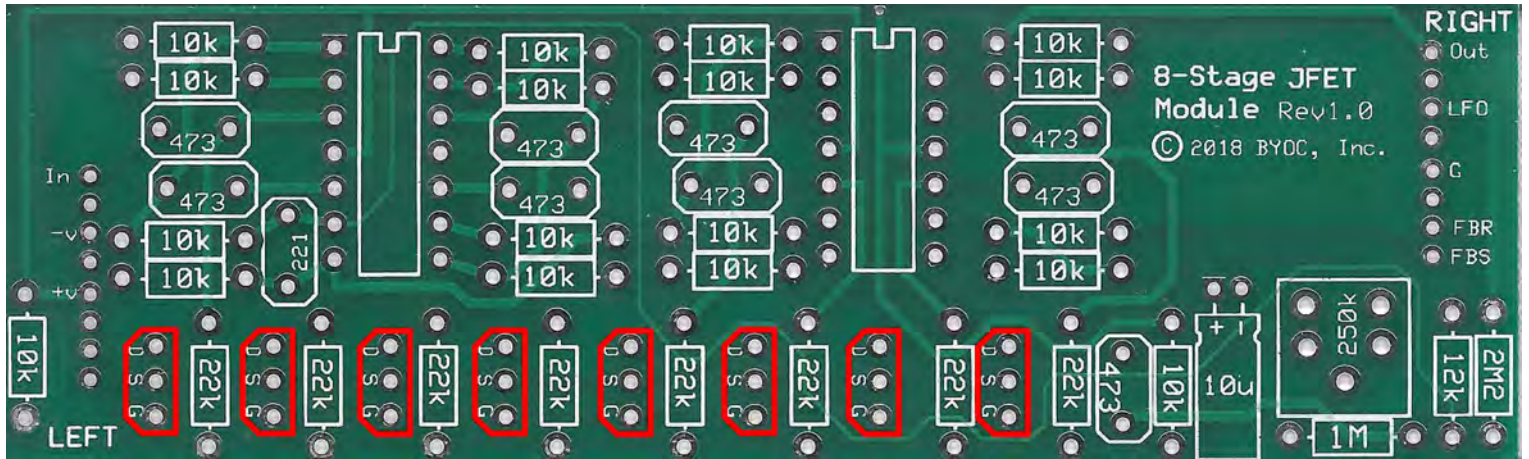
Step 6: Add the trimpot. There are 5 holes on the PCB for the trimpot, but only three on the trimpot itself. This is normal; your trimpot will only go into three of the holes. This is to accommodate various sizes of trimpots.



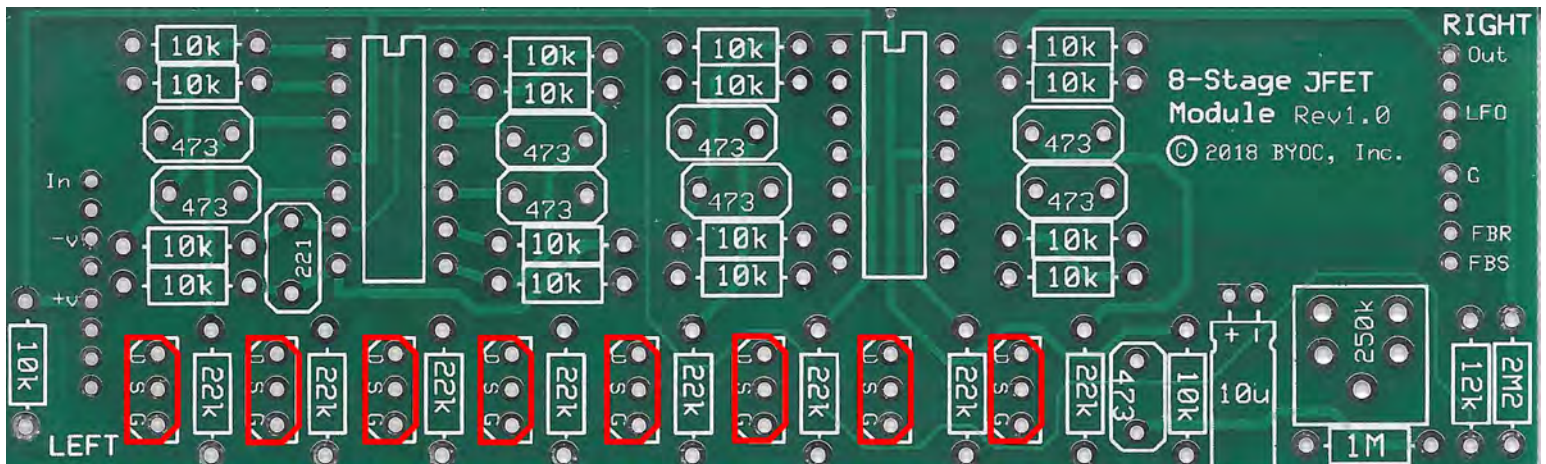
Setting The Trimpot:

When you're done with your build, you will want to set the trimpot to the middle of the sweep. Then move it in either direction slightly until you get the best sounding phase effect. Use your ears to find the best setting for you.

Step 7: Add the JFET transistors. Make note of the JFETs you have. This is important for the orientation!

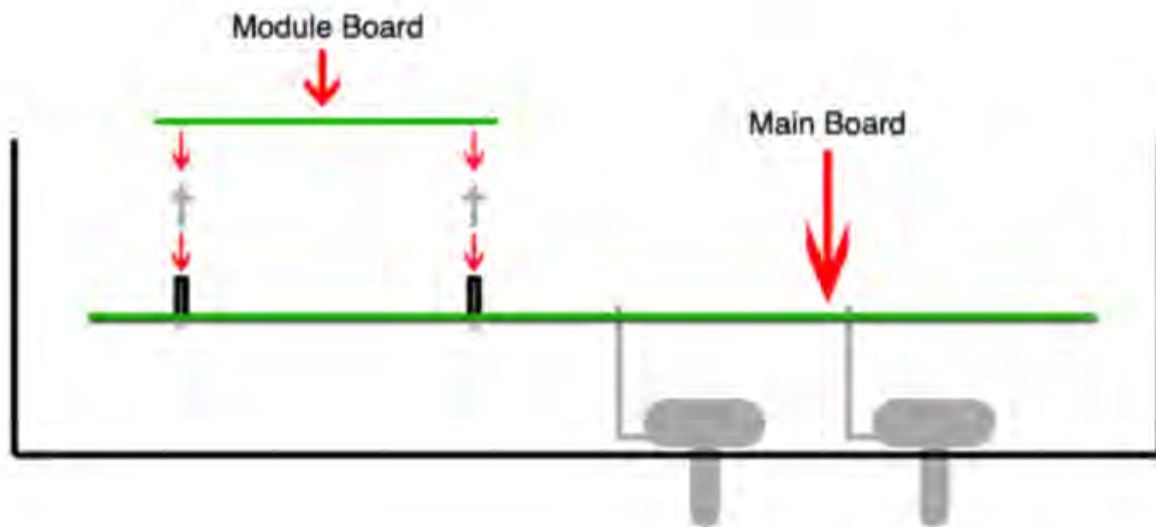


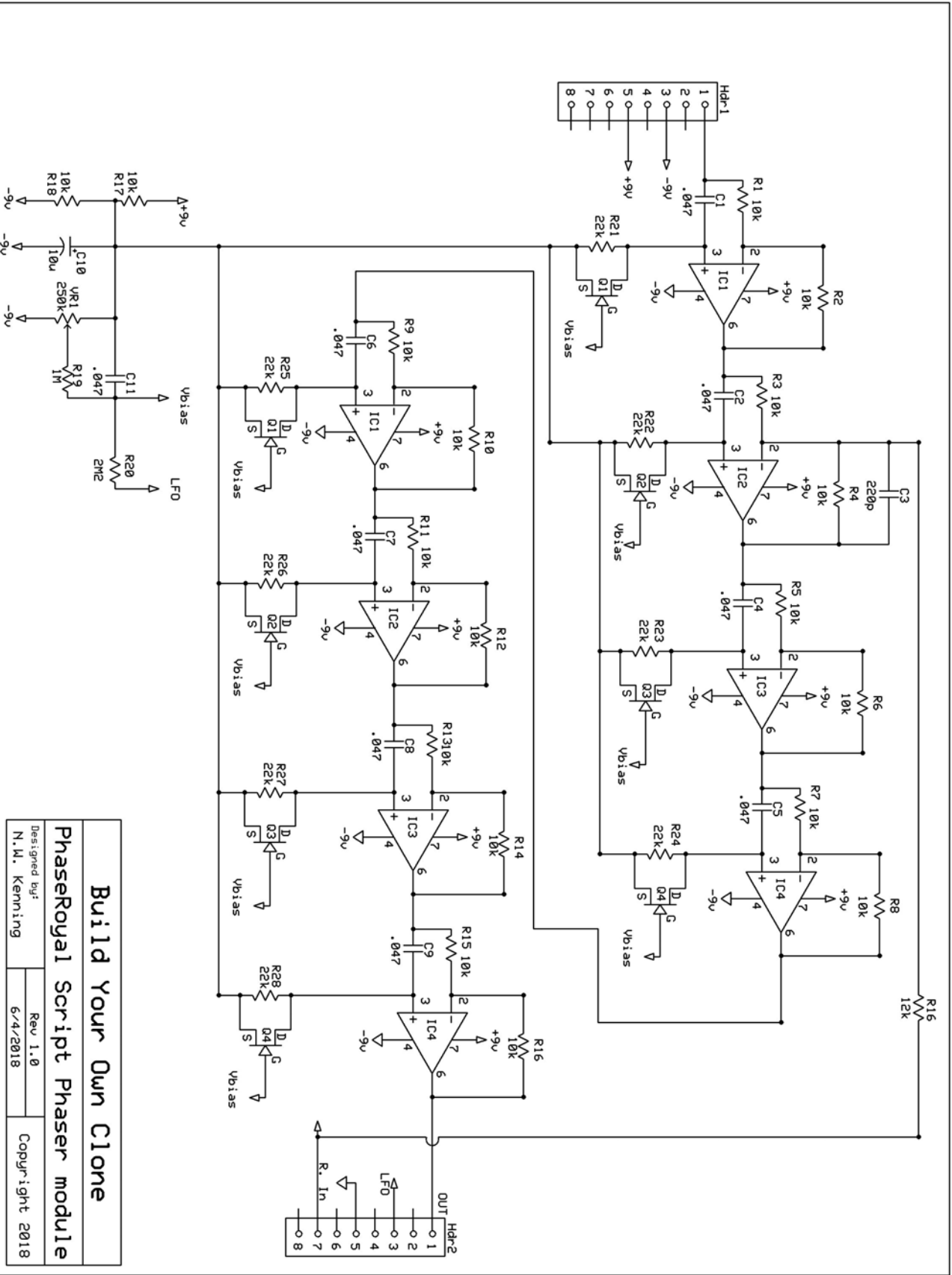
2N5952 Orientation



2N5458 Orientation

Step 8: Insert the pins into the Phase Royal header spots as shown below be sure to place the longer end of the pins into the headers. Once the pins are placed, guide the module board onto the pins and press down slightly so the module is sitting flush on the pins. Solder the top-side of the module at the pins. This helps align the pins and headers to the module board.





Build Your Own Clone

PhaserRoyal Script Phaser module

Designed by: N.W. Kenning	Rev 1.0
	Copyright 2018