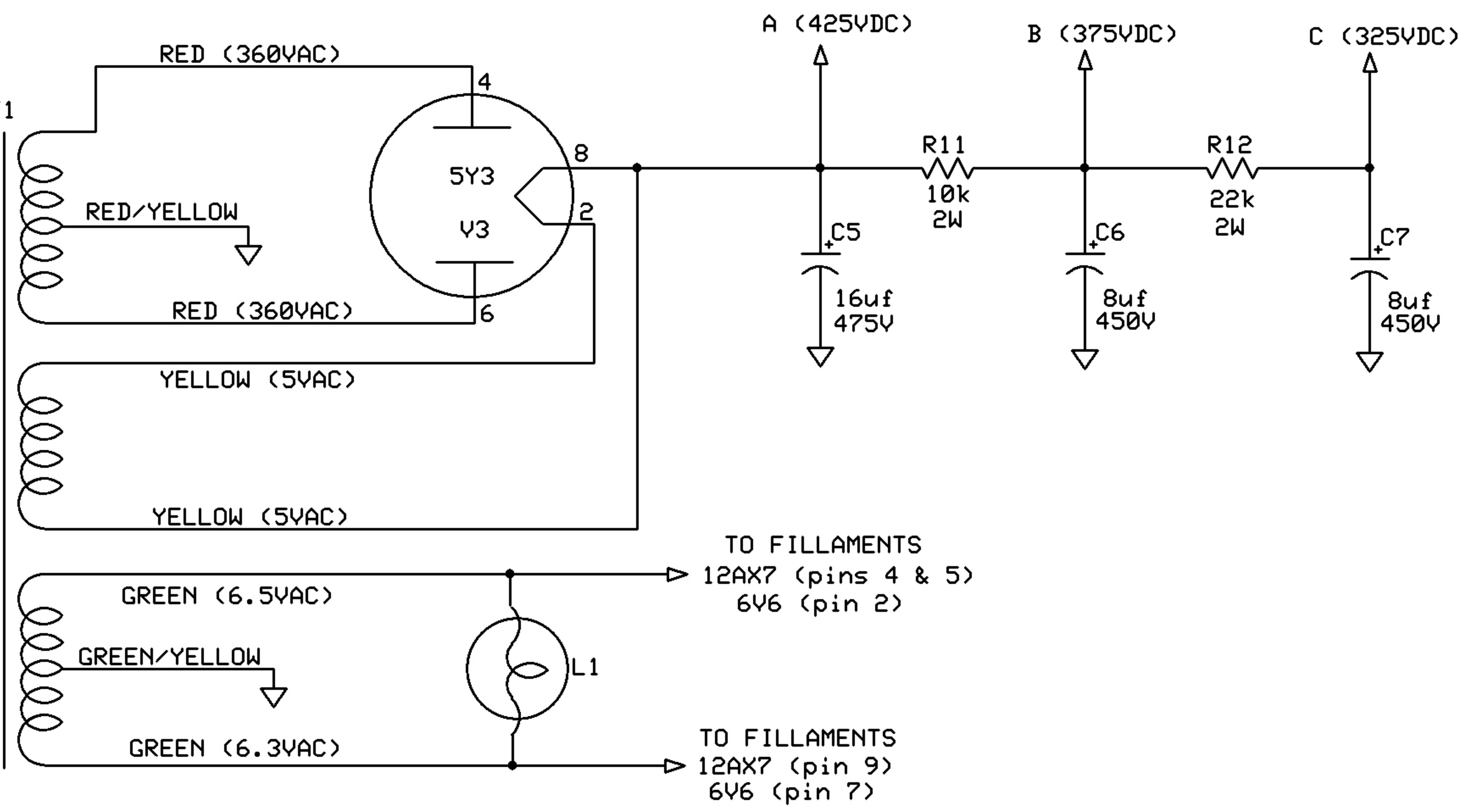
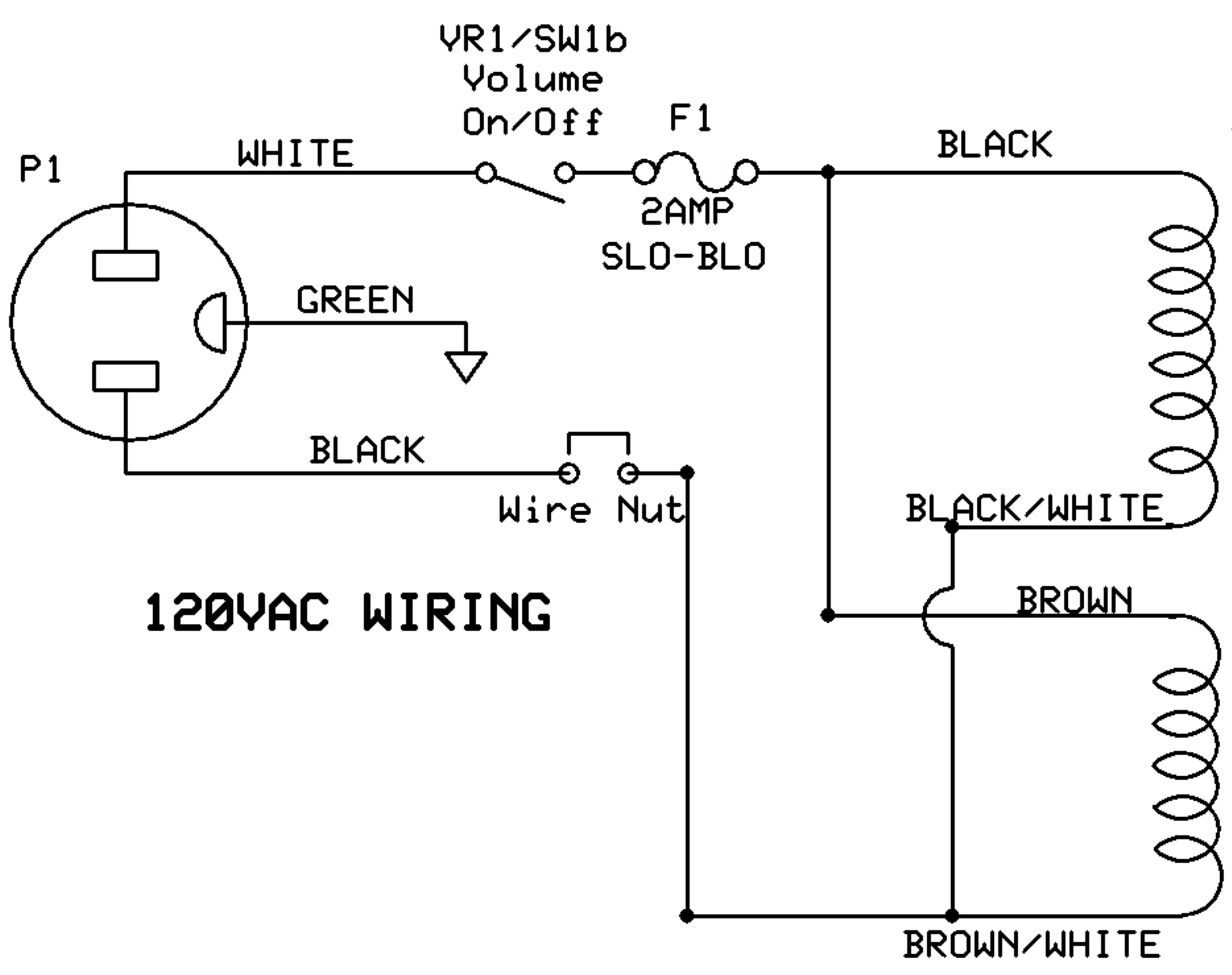


Output Transformer notes:  
 1. Brown wire not used (6k ohm input).  
 2. Yellow wire = 4 ohm output. Use instead of green if using a 4 ohm speaker.  
 3. If using 15 Watt Transformer Connect the Red wire to pin 3 and the Blue wire to point A



- Voltage Notes:
1. Pins 1 & 6 of 12AX7 = 200VDC
  2. Pins 3 & 8 of 12AX7 = 1.8VDC
  3. Pin 8 of 6V6 = 22VDC

<b>Build Your Own Clone</b>		
<b>Champlifier</b>		
drawn by: K. Vonderhulls	Rev 1.0 06/06/2017	Dual Primary 120VAC Wiring