

# Build Your Own Clone Li'l Beaver (NYC Version) Kit Instructions



## **Warranty:**

BYOC, Inc. guarantees that your kit will be complete and that all parts and components will arrive as described, functioning and free of defect. Soldering, clipping, cutting, stripping, or using any of the components in any way voids this guarantee. BYOC, Inc. guarantees that the instructions for your kit will be free of any major errors that would cause you to permanently damage any components in your kit, but does not guarantee that the instructions will be free of typos or minor errors. BYOC, Inc. does not warranty the completed pedal as a whole functioning unit, nor do we warranty any of the individual parts once they have been used. If you have a component that is used, but feel it was defective prior to you using it, we reserve the right to determine whether or not the component was faulty upon arrival. Please direct all warranty issues to: [sales@buildyourownclone.com](mailto:sales@buildyourownclone.com) This would include any missing parts issues.

## **Return:**

BYOC, Inc. accepts returns and exchanges on all products for any reason, as long as they are unused. We do not accept partial kit returns. Returns and exchanges are for the full purchase price less the cost of shipping and/or any promotional pricing. Return shipping is the customer's responsibility. This responsibility not only includes the cost of shipping, but accountability of delivery as well. Please contact [sales@buildyourownclone.com](mailto:sales@buildyourownclone.com) to receive a return authorization before mailing.

## **Tech Support:**

BYOC, Inc. makes no promises or guarantees that you will successfully complete your kit in a satisfactory manner. Nor does BYOC, Inc. promise or guarantee that you will

receive any technical support. Purchasing a product from BYOC, Inc. does not entitle you to any amount of technical support. BYOC, Inc. does not promise or guarantee that any technical support you may receive will be able to resolve any or all issues you may be experiencing.

That being said, we will do our best to help you as much as we can. Our philosophy at BYOC is that we will help you only as much as you are willing to help yourself. We have a wonderful and friendly DIY discussion forum with an entire section devoted to the technical support and modifications of BYOC kits.

[www.byoelectronics.com/board](http://www.byoelectronics.com/board)

When posting a tech support thread on the BYOC forum, please post it in the correct lounge, and please title your thread appropriately. If everyone titles their threads "HELP!" then it makes it impossible for the people who are helping you to keep track of your progress. A very brief description of your specific problem will do. It will also make it easier to see if someone else is having or has had the same problem as you. The question you are about to ask may already be answered. Here is a list of things that you should include in the body of your tech support thread:

1. A detailed explanation of what the problem is. (more than, "It doesn't work, help")
2. Pic of the topside of your PCB.
3. Pic of the underside of your PCB.
4. Pic that clearly shows your footswitch/jack wiring and the wires going to the PCB
5. A pic that clearly shows your wiring going from the PCB to the pots and any other switches(only if your kit has non-PC mounted pots and switches)
6. Is bypass working?
7. Does the LED come on?
8. If you answered yes to 6 and 7, what does the pedal do when it is in the "on" position?
9. Battery or adapter (if battery, is it good? If adapter, what type?)

Also, please only post photos that are in focus.

### **Copyrights:**

All material in this document is copyrighted 2016 by BYOC, Inc.

# **Li'l Beaver (NYC) Kit Instruction Index**

**Parts Checklist.....page 4**

**Populating the Circuit Board.....page 7**

**Enclosure Assembly.....page 11**

**Wiring.....page 16**

**Operation Overview.....page 20**

**Schematic.....page 21**

**PCB Back Trace Photo.....page 22**

## Parts Checklist for the Li'l Beaver (NYC) Kit

### Resistors

- 3 - 100R/101 (Brown/Black/Black/Black/Brown) or (Brown/Black/Brown/Gold)
- 1 - 1K/102 (Brown/Black/Black/Brown/Brown) or (Brown/Black/Red/Gold)
- 1 - 2K2/222 (Red/Red/Black/Brown/Brown) or (Red/Red/Red/Gold)
- 1 - 4k7 /472 (Yellow/Purple/Black/Brown/Brown) or (Yellow/Purple/Red/Gold)
- 2 - 8k2/822 (Gray/Red/Black/Brown/Brown) or (Gray/Red/Red/Gold)
- 1 - 10k/103 (Brown/Black/Black/Red/Brown) or (Brown/Black/Orange/Gold)
- 3 - 15k/153 (Brown/Green/Black/Red/Brown) or (Brown/Green/Orange/Gold)
- 1 - 22k/223 (Red/Red/Black/Red/Brown) or (Red/Red/Orange/Gold)
- 2 - 39k/393 (Orange/White/Black/Red/Brown) or (Orange/White/Orange/Gold)
- 4 - 100k/104 (Brown/Black/Black/Orange/Brown) or (Brown/Black/Yellow/Gold)
- 1 - 390k/394 (Orange/White/Black/Orange/Brown) or (Orange/White/Yellow/Gold)
- 4 - 470k/474 (Yellow/Purple/Black/Orange/Brown) or (Yellow/Purple/Yellow/Gold)

Visit [www.byocelectronics.com/resistorcodes.pdf](http://www.byocelectronics.com/resistorcodes.pdf) for more information on how to differentiate resistors.

### Capacitors:

- 3 - 470pF Ceramic Disc capacitor (round yellow or orange with '471' on the body)
- 1 - 3n9/.0039uF Film cap ("392" on the body)
- 1 - 10n/.01uF Film cap ("103" on the body)
- 4 - 100n/.1uF Film Cap ("104" on the body)
- 4 - 1uF Aluminum Electrolytic

Visit [www.byocelectronics.com/capcodes.pdf](http://www.byocelectronics.com/capcodes.pdf) for more info on how to differentiate capacitors.

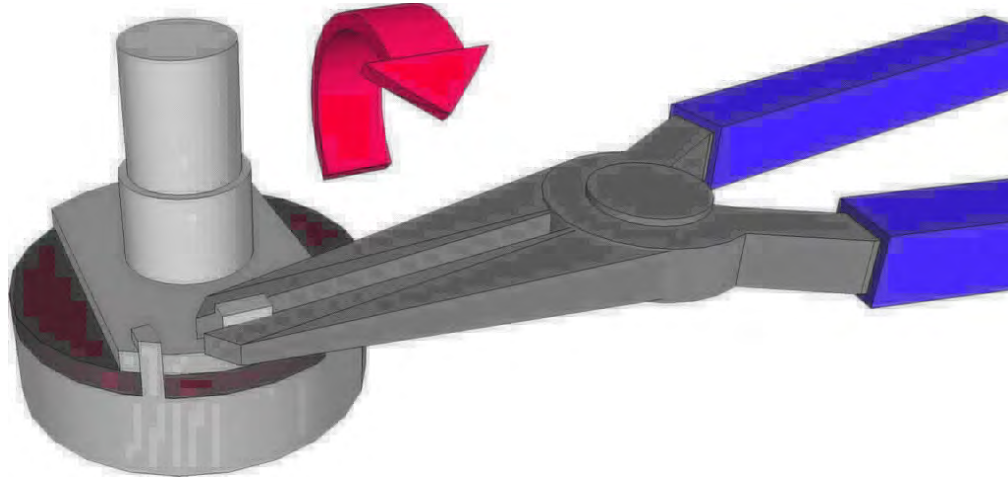
### Diodes:

- 4 - 1N4148 or 1N914

### Transistors:

- 4 - 2N5088

**Potentiometers: SNAP THE SMALL TABS ON THE TOP OF THE POTS OFF WITH A PAIR OF NEEDLE NOSE PLIERS**



2 - A100k (SUSTAIN, VOLUME)  
1 - B100K (TONE)

**Hardware:**

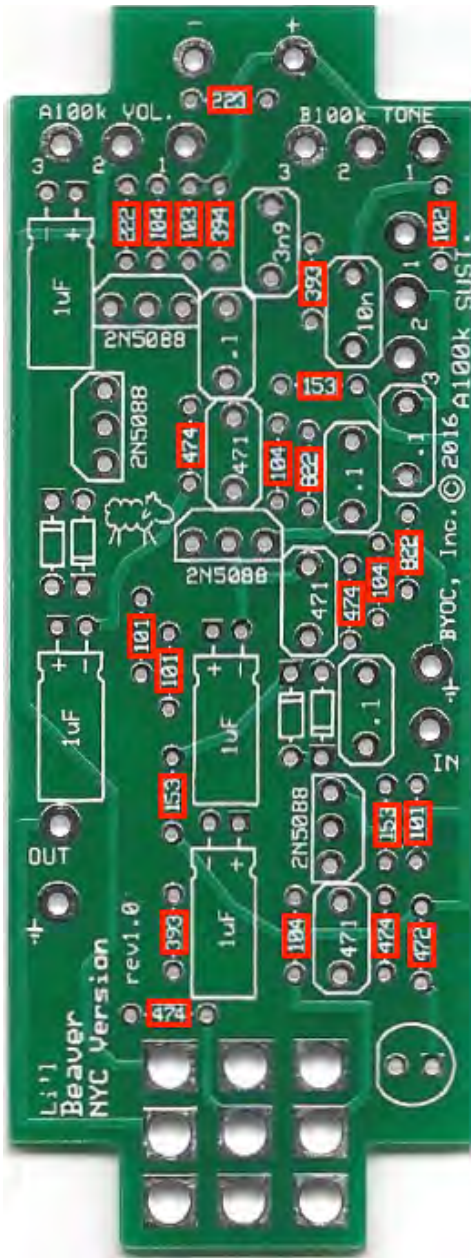
1 - predrilled enclosure w/ 4 screws  
1 - Li'l Beaver (NYC) PCB  
1 - 3pdt footswitch  
1 - External Nut AC Jack  
2 - Enclosed Audio Jacks  
4 - rubber bumpers  
2 - lock washers (for in and out jacks)  
hook-up wire



**Your build should look similar to this when you're finished.**

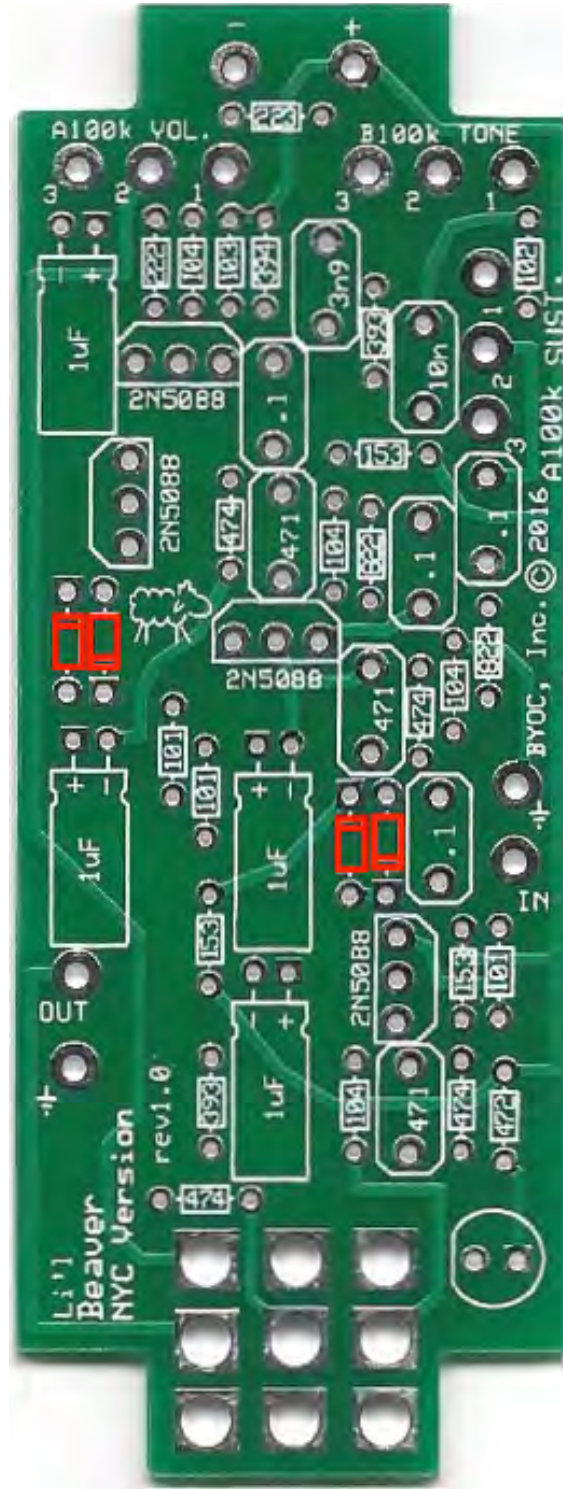
# Populating the Circuit Board

**Step 1:** Add all the resistors. Resistors are not polarized and can be inserted in either direction.



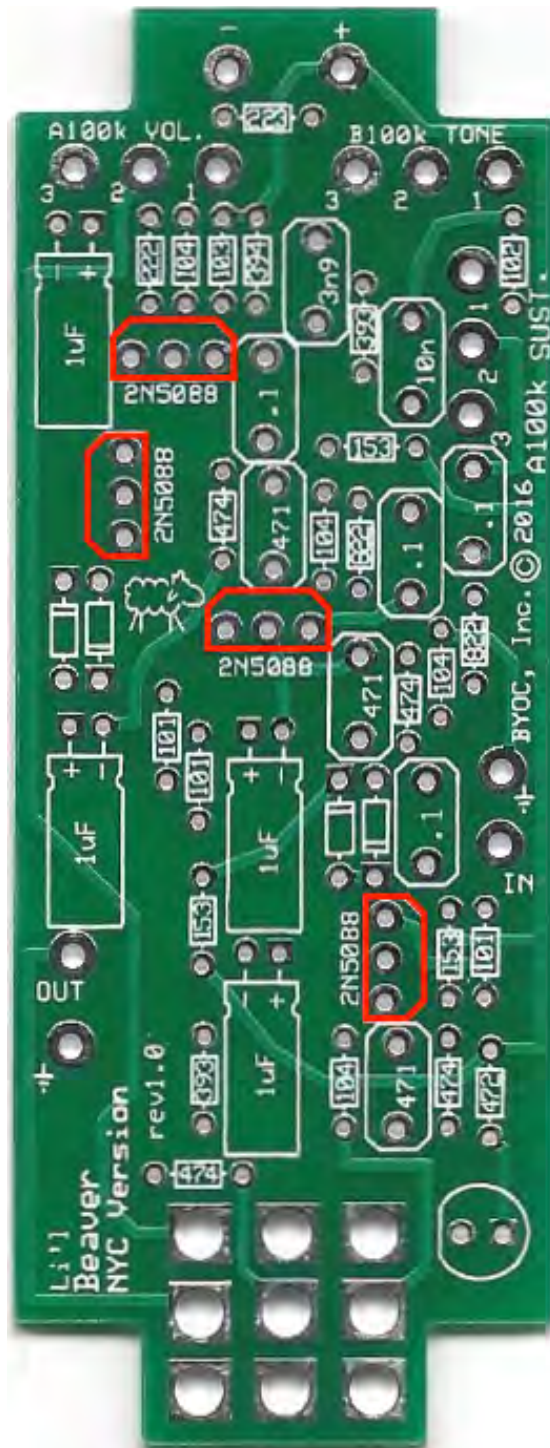


**Step 2:** Add the diodes. Be sure to match the end of the diodes with the stripe to the layout on the PCB. The striped end should go in the square solder pad.

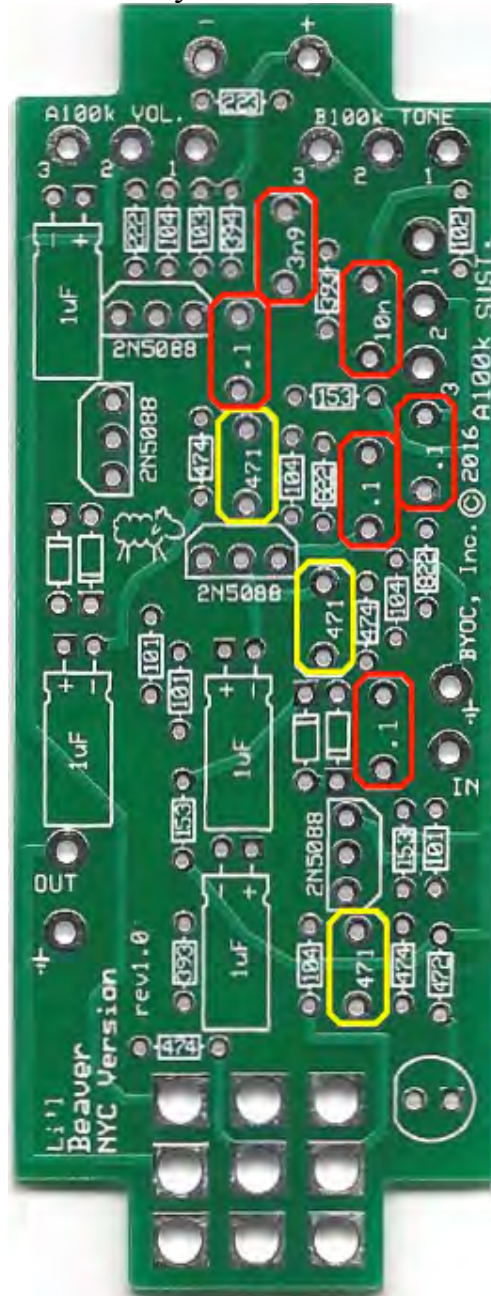




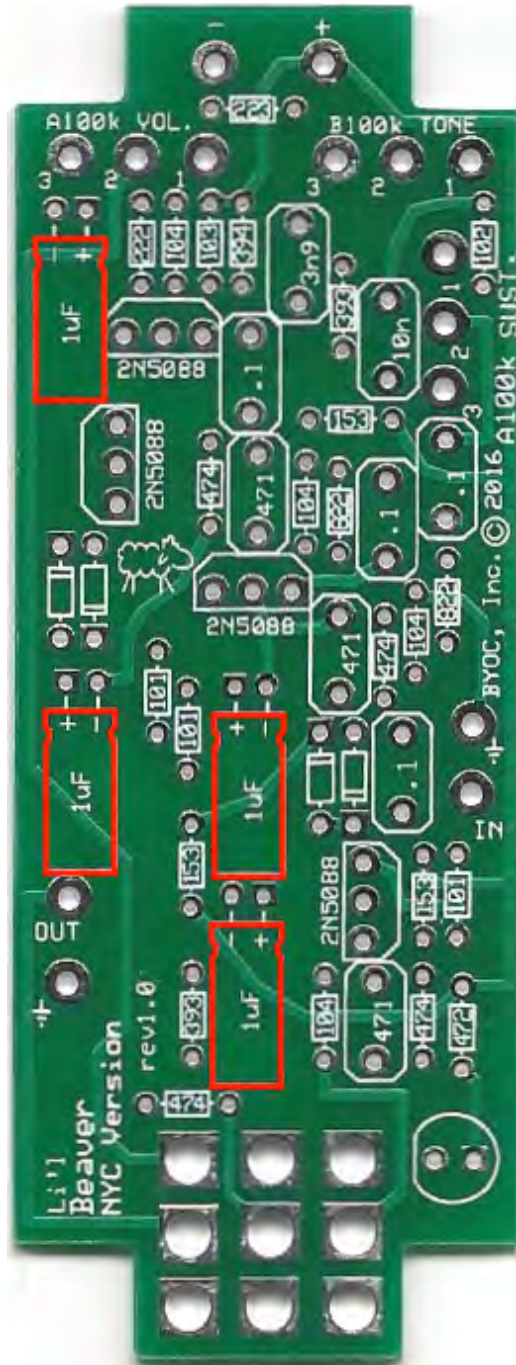
**Step 3:** Add the transistors. Be sure to match the flat side of the screenprint with the flat side on the transistors.



**Step 4:** Add the film and ceramic disc capacitors. These are non-polarized and can go in either direction. The ceramic disc capacitors are highlighted in yellow. Depending on the height of your ceramic disc capacitors, you may need to lay them on their side.



**Step 5:** Add the aluminum electrolytic capacitors. These ARE polarized, meaning there is a positive and negative end. The positive side will have a longer lead and goes in the square solder pad. The negative side will have a shorter lead and a stripe running along the body of the cap, and goes in the round solder pad. Before soldering, bend the capacitor so it is laying down like below.



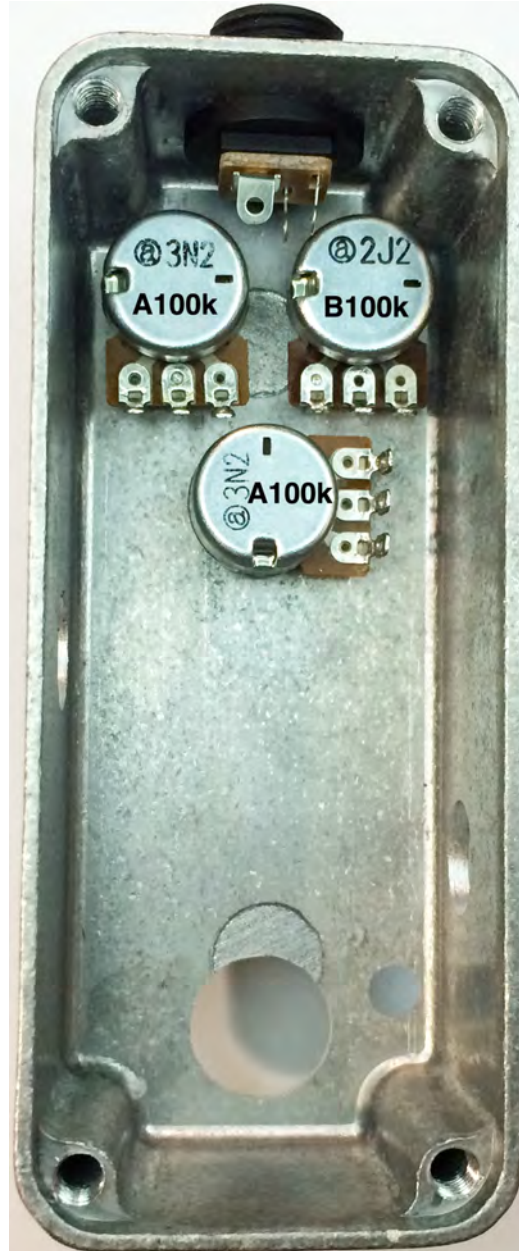
# Enclosure Hardware Assembly

**Step 1:** Mount the DC adapter jack.



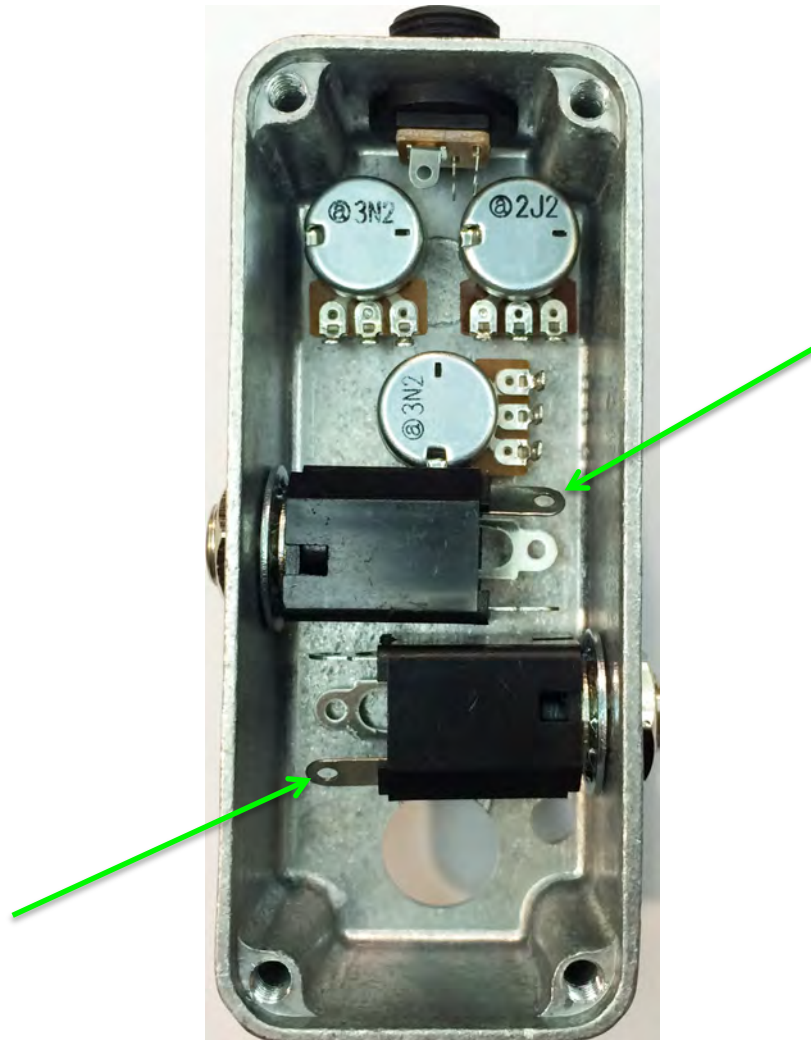


**Step 2:** Mount the potentiometer. You will mount the top pots with the solder lugs facing away from the DC Jack. Mount the lower pot with the lugs facing toward the output jack as shown below.



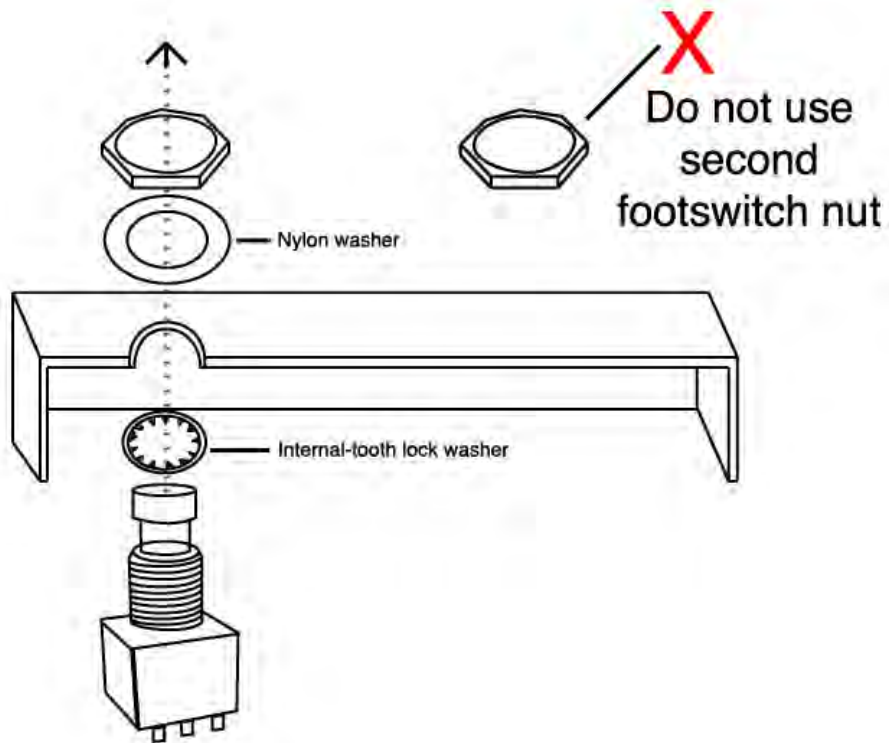
**Step 3:** Mount the Audio Jacks. You want to orient them so that the SLEEVE terminals (beveled corner of the jack) are facing away from each other. If looking at the inside of the enclosure, the INPUT jack will have its sleeve

terminal facing towards the AC jack. The OUTPUT jack will have its sleeve terminal facing towards the footswitch hole. The green arrows are pointing at the sleeves.





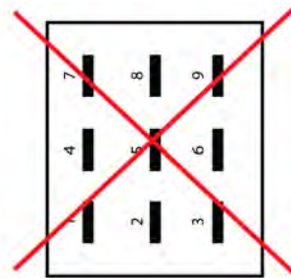
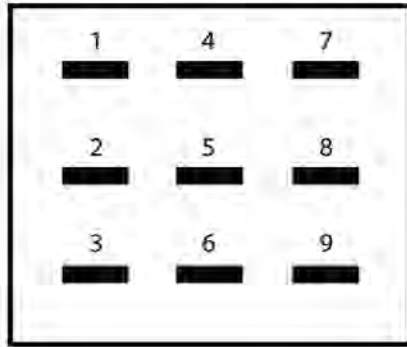
**Step 4:** Remove both nuts from the footswitch and mount the footswitch.



Orient the footswitch so that the flat sides of the solder lugs are like the diagram below.

**NOTE:** There are no actual number markings on the footswitch. There are two correct ways you can orient the footswitch. They are both 180 degrees of each other. Either way is fine. It does not matter as long as the flat sides of the solder lugs are running horizontal, not vertical.

## FOOT SWITCH SOLDER LUG DESIGNATIONS

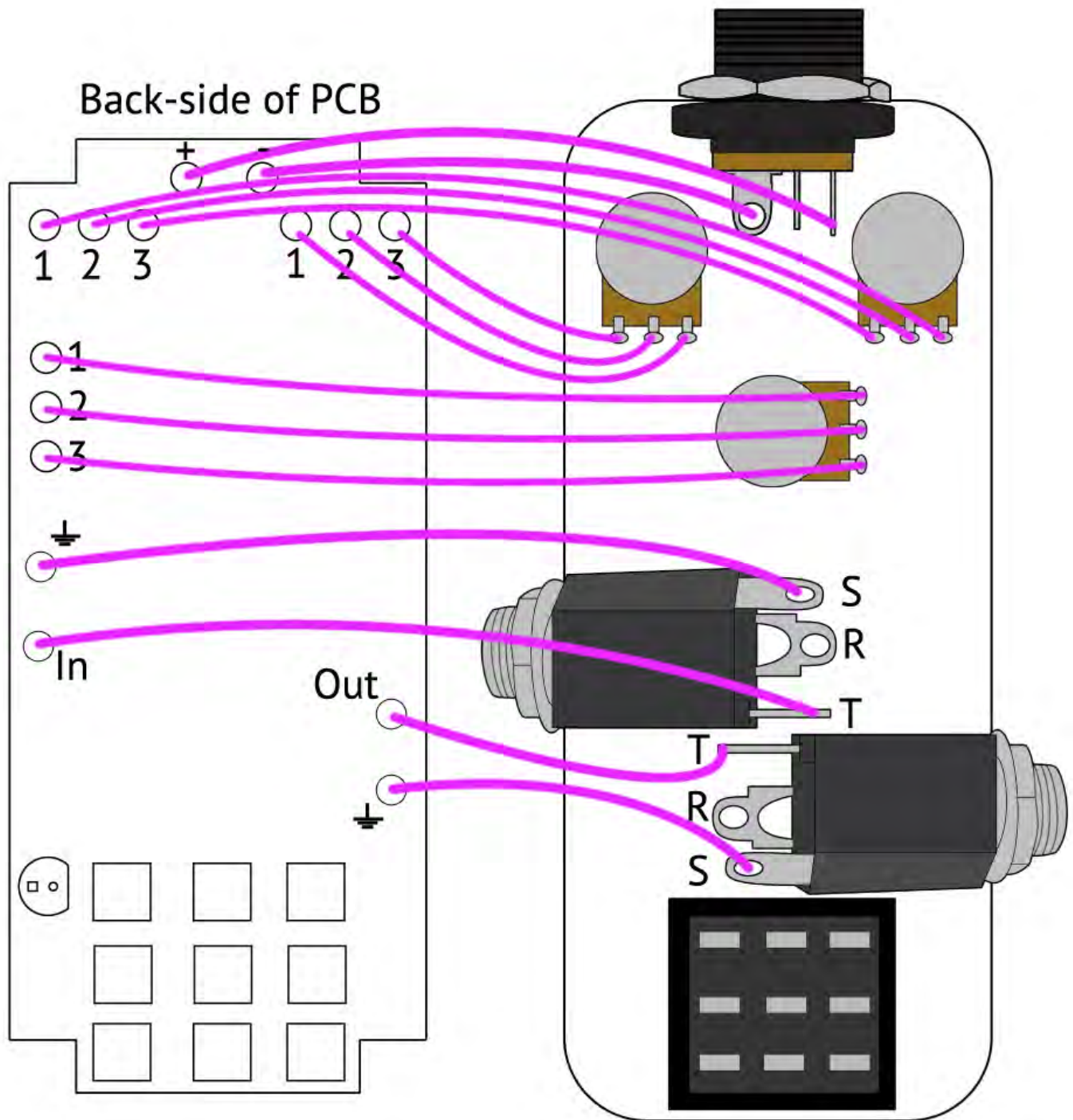


# Wiring



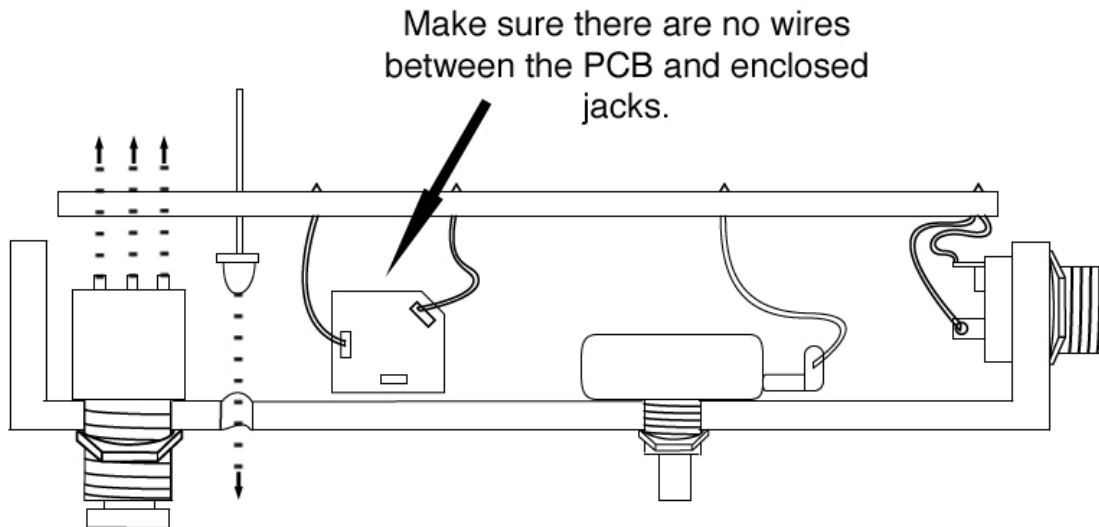
## **FLIP PCB OVER!!!**

STEP 1: Wire the PCB as shown in the diagram below. Make all connections to the back side of the PCB and solder on the top (screen printed) side of the PCB. Make the wires as short as possible but allow enough length so that if you need to do any trouble shooting later, you will be able to do so without having to remove all the enclosure mounted components.



**Step 2:** Once the AC jack, potentiometer, and IN/OUT jacks are wired, insert the LED in its hole. **Insert the long lead into the square hole!!!** You might want to slightly bend the leads away from each other to keep them in the holes for now. **DO NOT SOLDER YET**

**Step 3:** Flip the PCB right-side-up, tuck the wires into the enclosure, and place the PCB onto the footswitch. **DO NOT SOLDER YET!!!!**



**It is extremely important that when you place the PCB on the footswitch, you make sure to tuck all the wires out of the way so that that PCB can rest flush against the enclosed jacks and footswitch.**

**Step 4: Solder ONLY 1 of the footswitch lugs.**

Your PCB should be recessed inside the enclosure about 1cm. It should be level.

Some of your components may be sticking up out of the enclosure just a bit, particularly the film capacitors. This is to be expected. This is OK. The lid has a deep recess.

If you need to adjust the position of the PCB so that it fits correctly, reheat the single solder joint you just made on the footswitch. Adjust the position of the PCB while the keeping the solder joint hot. Remove the heat and hold the PCB in position while allowing the solder joint to cool completely. Now solder the rest of the footswitch lugs.

**Step 5:** Once you have your PCB positioned and soldered, guide the LED into its enclosure hole using the leads that are sticking up through the PCB. Once the LED is in position, solder and trim the excess leads.

## **Operating Overview**





**VOL:** Controls overall output volume.

**SUSTAIN:** Controls the amount of distortion.

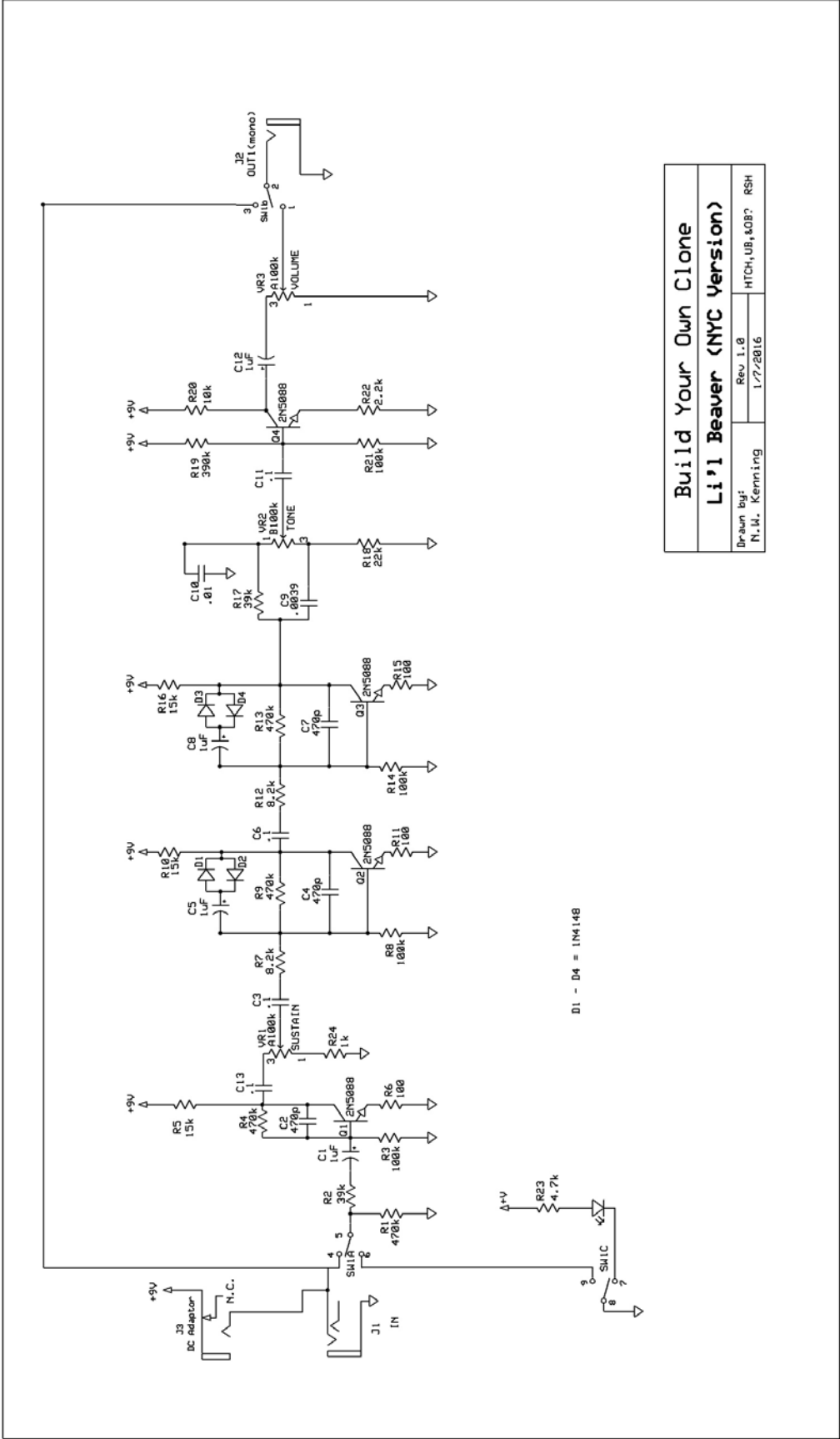
**TONE:** Controls the tone.

**Power supply:** 2.1mm negative tip.

**Current Draw:** 5.5mA

**Input Impedance:** 470k ohms

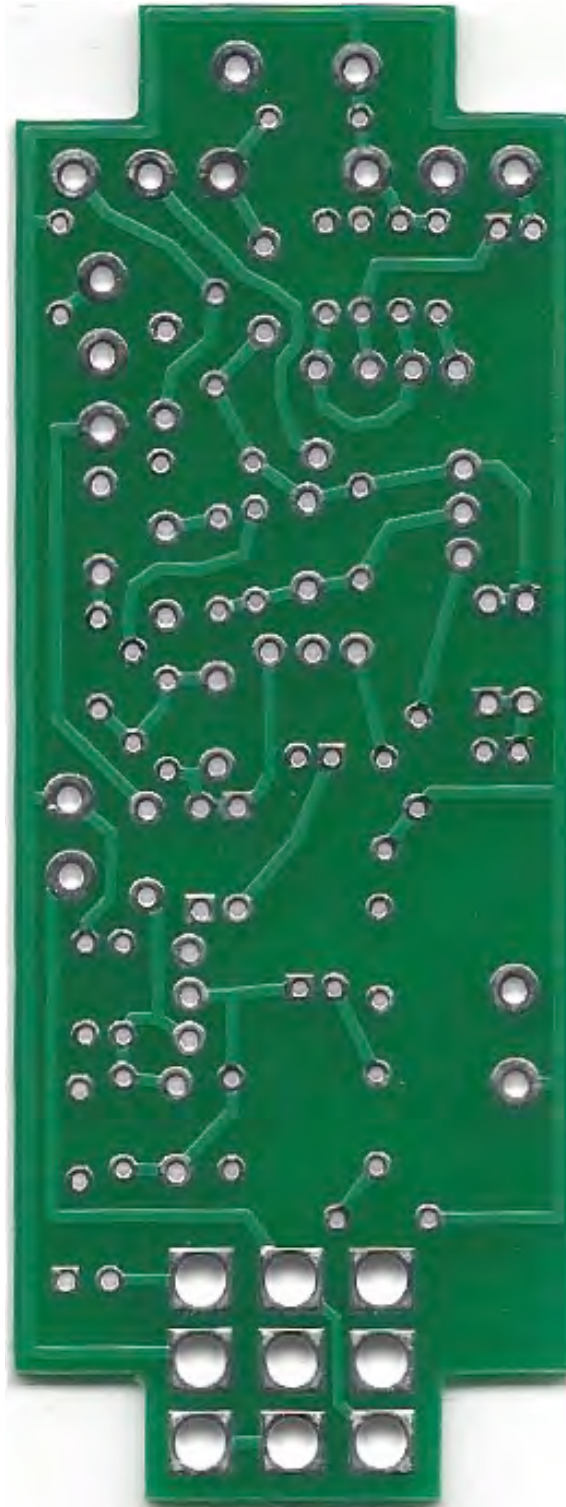
**Output Impedance:** 100k ohms



D1 - D4 = 1N4148

<b>Build Your Own Clone</b>	
<b>Li'l Beaver (NYC Version)</b>	
Drawn by:	Rev. 1.0
N.M. Kenning	1/7/2016
	HTCH,UB,40B? RSH

## PCB Back Trace Photo



**Please visit**  
**<http://byoceletronics.com/board>**  
**for any technical support**

**Copyright 2016**  
**BYOC, Inc.**