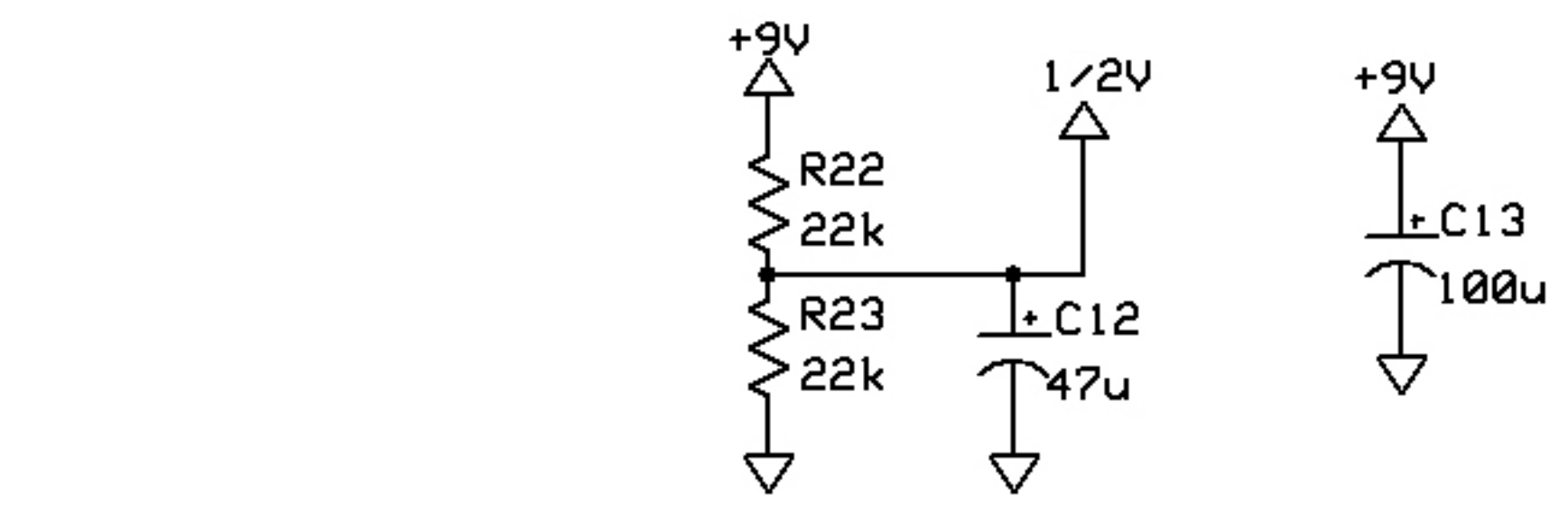
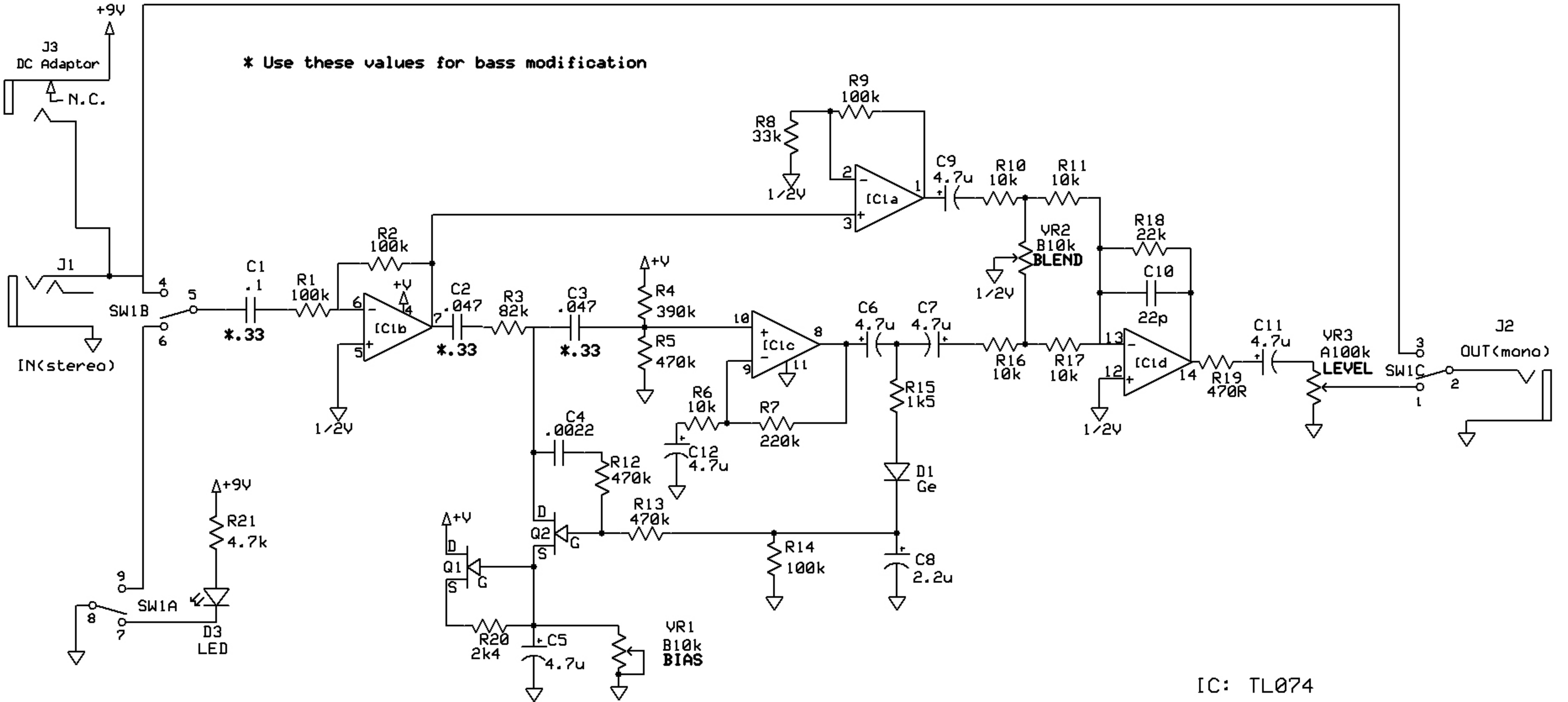


\* Use these values for bass modification



IC: TL074  
Q1, Q2: 2N5457

<b>Build Your Own Clone</b>		
<b>Mimosa Jr.</b>		
Drawn by: N.W. Kenning	Rev 1.0 10/29/2015	Page 1 of 1