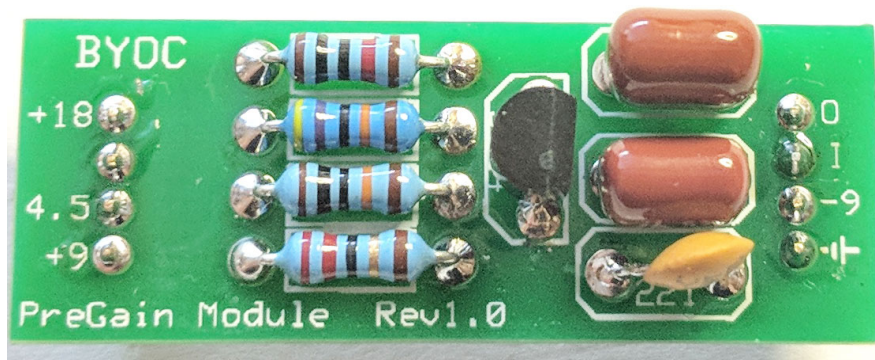


# Build Your Own Clone Crown Jewel Pregain Module Instructions



## Parts list for the Crown Jewel Pregain Module Pack

### Resistors:

- 1 - 220 $\Omega$  (Red/Red/Black/Gold/Brown)
- 1 - 10k (Brown/Black/Black/Red/Brown)
- 1 - 100k (Brown/Black/Black/Orange/Brown)
- 1 - 470k (Yellow/Purple/Black/Orange/Brown)

### Capacitors:

- 1 - 220p or 250p (May say "221" or "251" on the body)
- 1 - .047 $\mu$ F/473 Film Cap (May say "473" on the body)
- 1 - .47 $\mu$ F/474 Film Cap (May say "474" on the body)

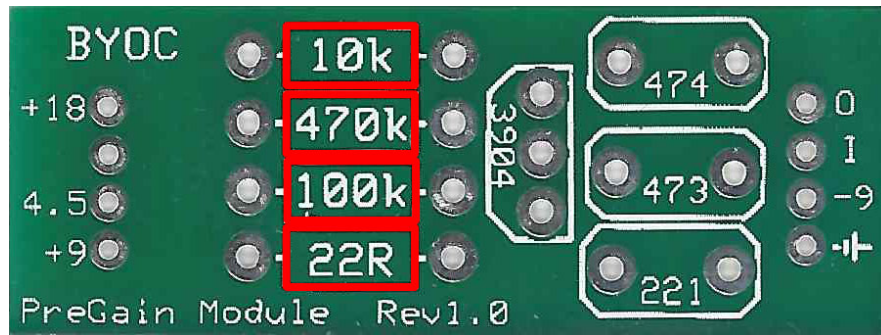
### Transistors:

- 1 - 2N3904 NPN Silicon Transistor

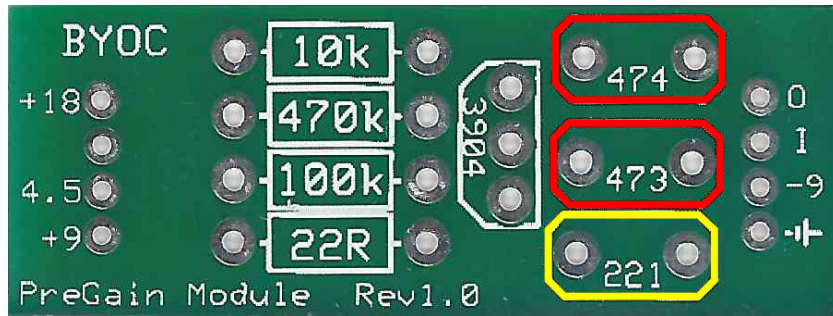
### Hardware:

- 2 - 1X4 pins

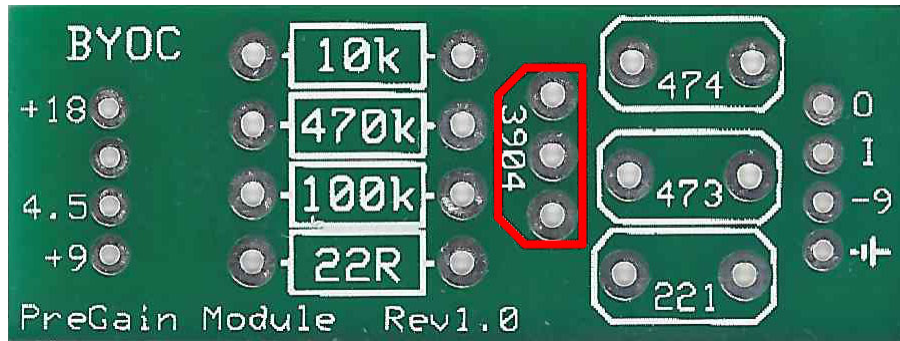
**Step 1:** Add the resistors. These are not polarized and can go in either direction.



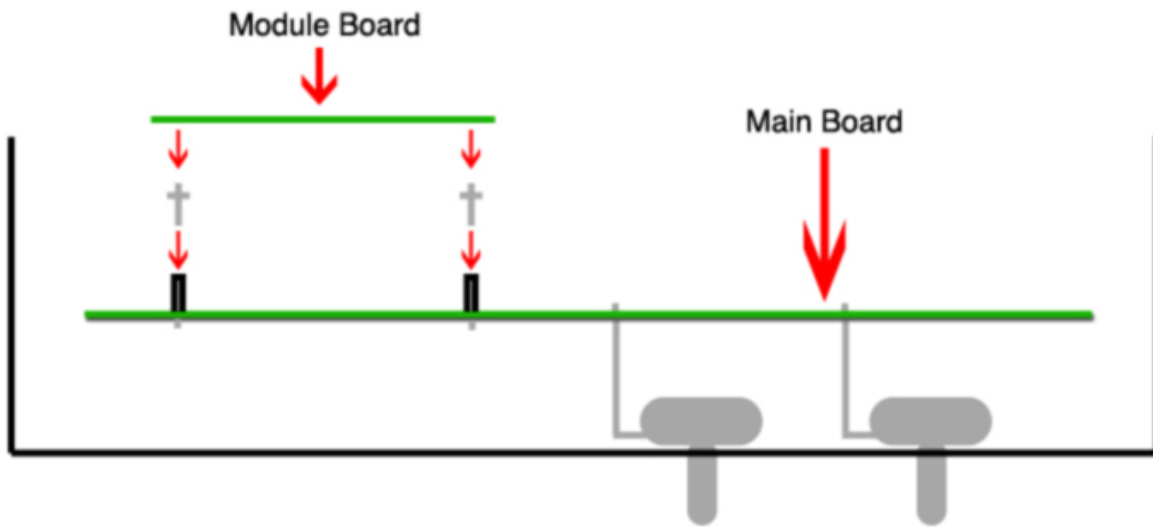
**Step 2:** Add the Film caps. These are not polarized and can be placed in either direction. The capacitor highlighted in yellow is the ceramic disc.

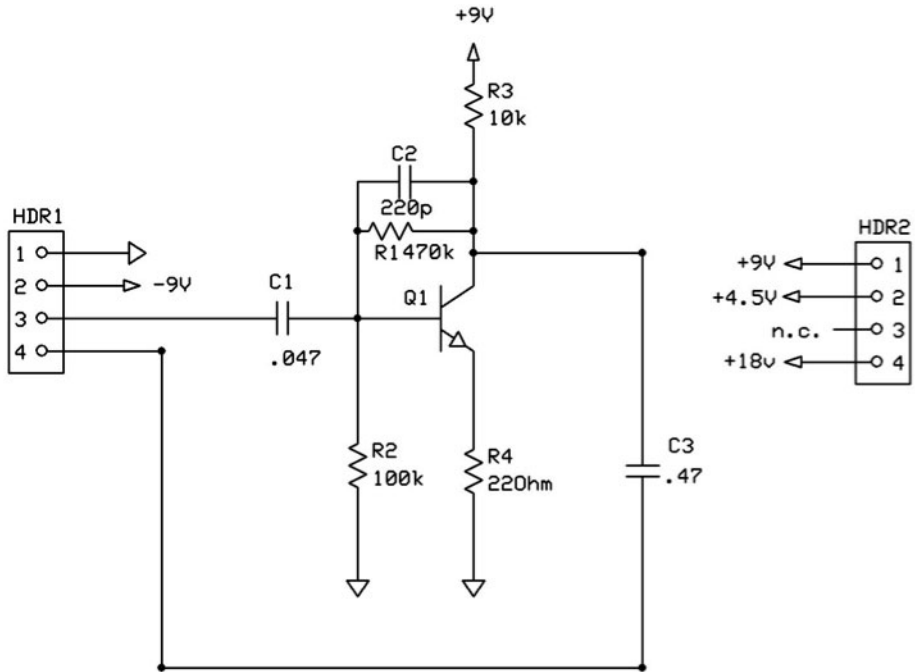


**Step 4:** Add the transistor. Be sure to match the flat side of the transistor with the PCB layout.



**Step 5:** Insert the pins into the Crown Jewel header spots as shown below be sure to place the longer end of the pins into the headers. Once the pins are placed, guide the module board onto the pins and press down slightly so the module is sitting flush on the pins. Solder the top-side of the module at the pins. This helps align the pins and headers to the module board.





<b>Build Your Own Clone</b>		
<b>Crown Jewel/Pregain Module</b>		
Designed by: K. Vonderhulls	Rev 1.0 3/14/2017	Copyright 2018