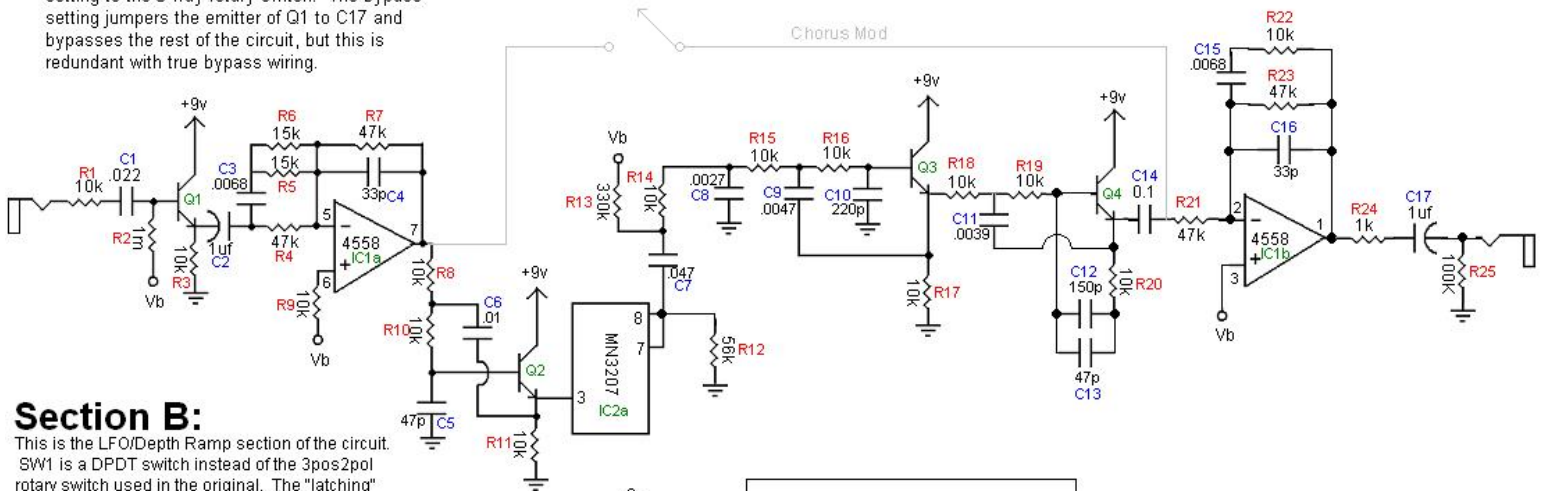


Boss VB-2

Section A:

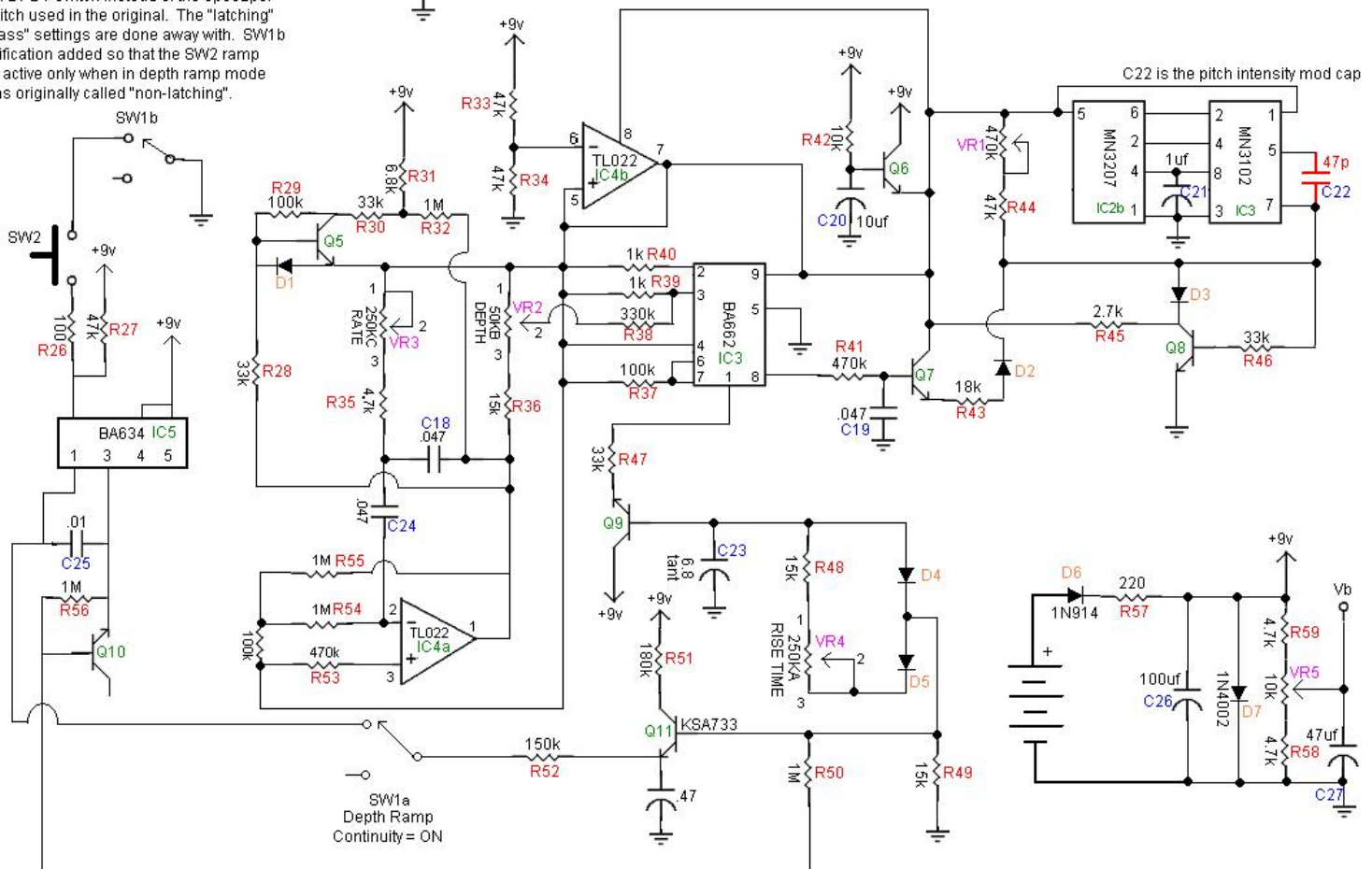
This is the signal path. All transistors (Q1 - Q4) are KSC732 originally or can be substituted with BC550. In the original pedal, your bypassed signal had to travel through all of this including an idle BBD! No wonder they added the bypass setting to the 3-way rotary switch. The bypass setting jumpers the emitter of Q1 to C17 and bypasses the rest of the circuit, but this is redundant with true bypass wiring.

drawn by
K. Vonderhulls
of
b.y.o.c.



Section B:

This is the LFO/Depth Ramp section of the circuit. SW1 is a DPDT switch instead of the 3pos2pol rotary switch used in the original. The "latching" and "bypass" settings are done away with. SW1b is a modification added so that the SW2 ramp switch is active only when in depth ramp mode which was originally called "non-latching".



- Q1-4 KSC732 originally or BC550
- Q5 - 10 KSC945
- Q11 KSA733
- D1 - 6 1N914