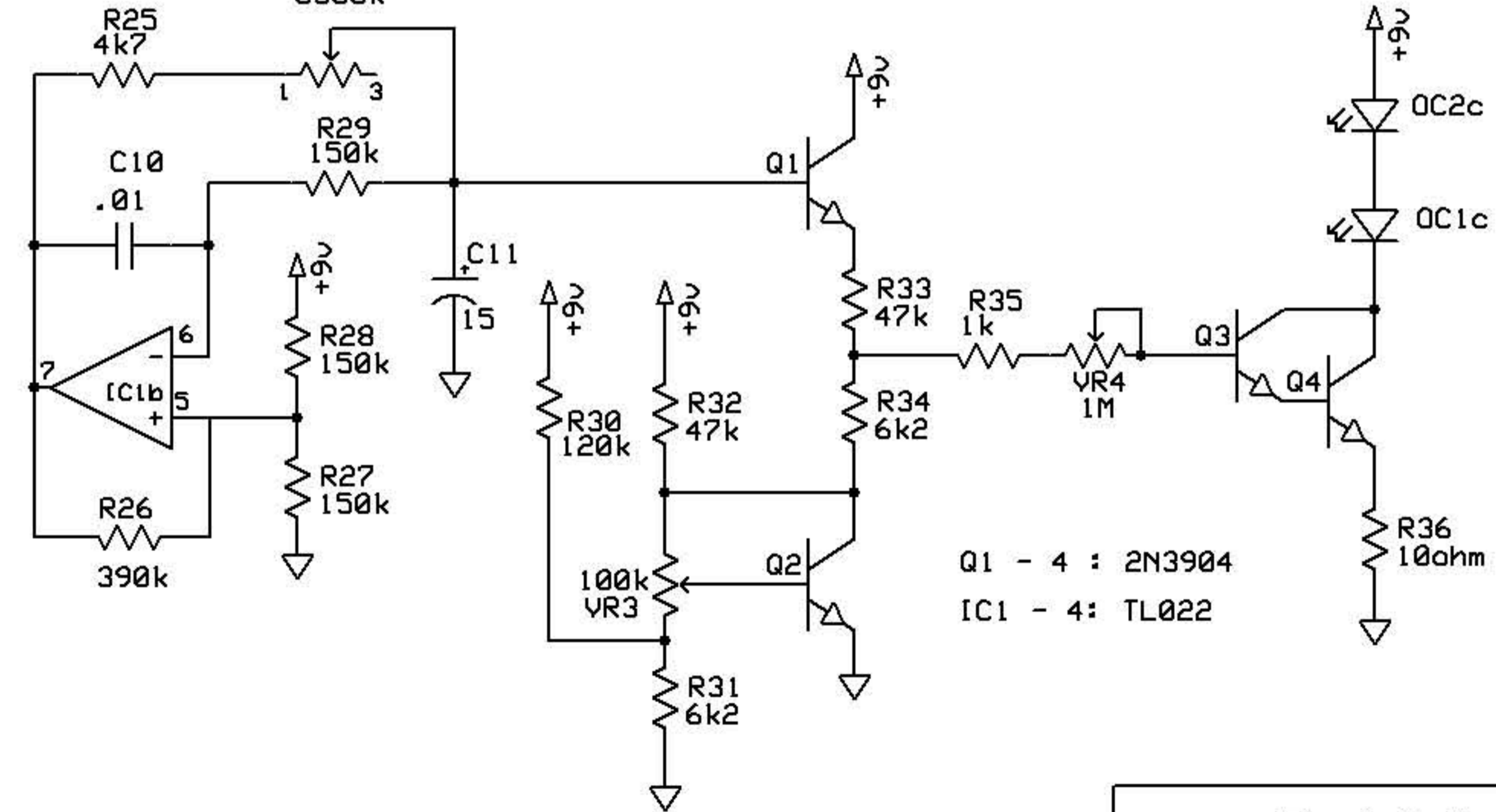
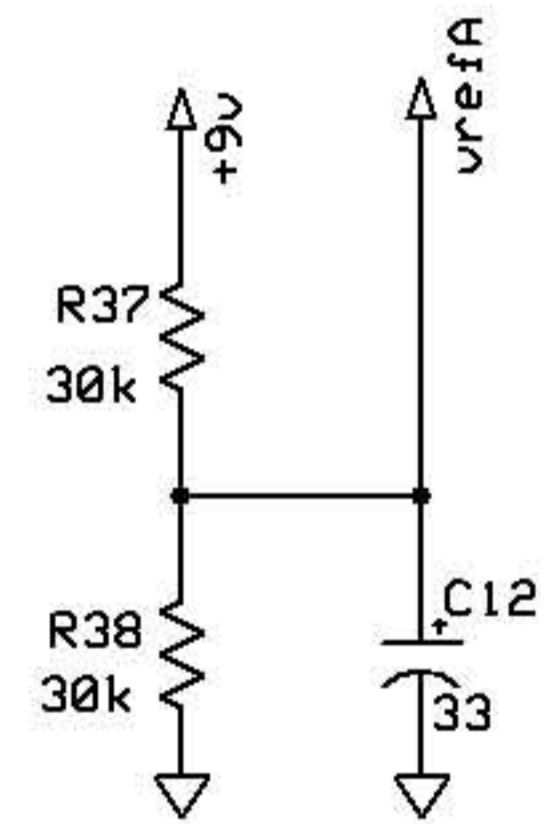
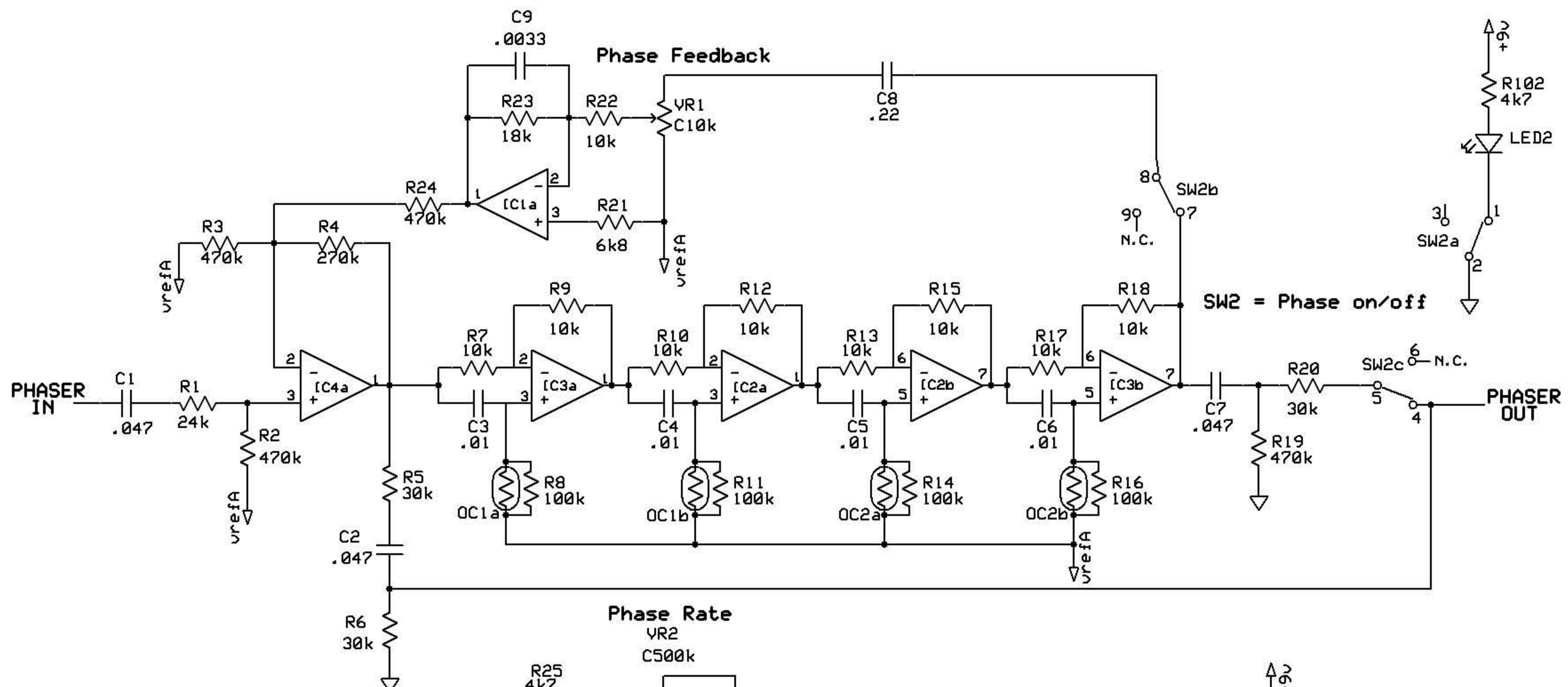


SW1 = Panning On/Off
 SW3 Position 1 = Phase Right
 SW3 Position 2 = Stereo
 SW3 Position 3 = Phase Left

Switching/Routing Circuit

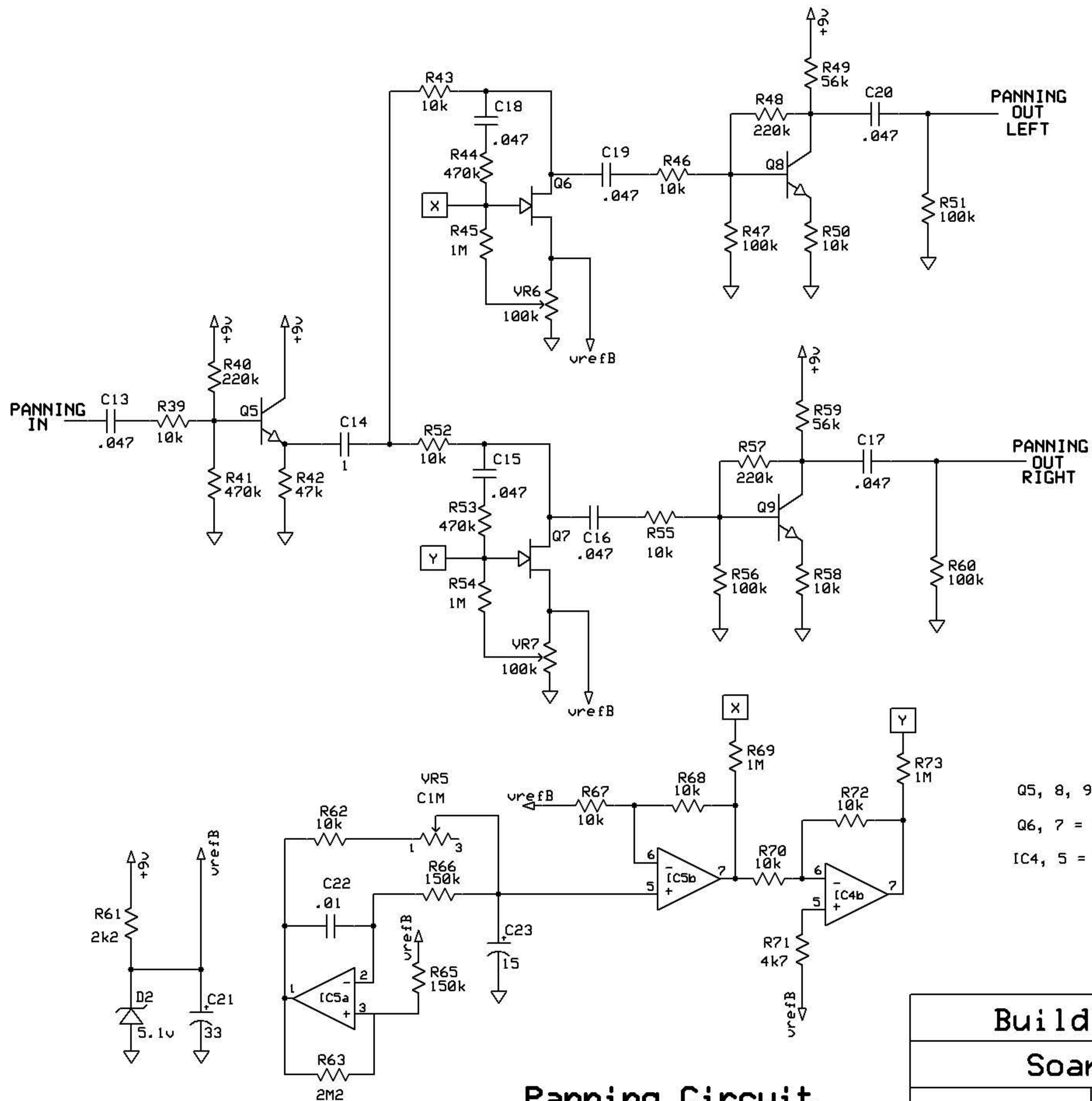
Build Your Own Clone		
Soaring Skillet		
K. Vanderhulls	Rev 1.0	Page 1 of 3
	7/13/2012	



Q1 - 4 : 2N3904
 IC1 - 4: TL022

Phaser Circuit

Build Your Own Clone
 Soaring Skillet



Q5, 8, 9 = 2N3904
 Q6, 7 = 2N5952
 IC4, 5 = TL022

Panning Circuit

Build Your Own Clone		
Soaring Skillet		
K. Vanderhulls	Rev 1.0	Page 3 of 3
	7/13/2012	