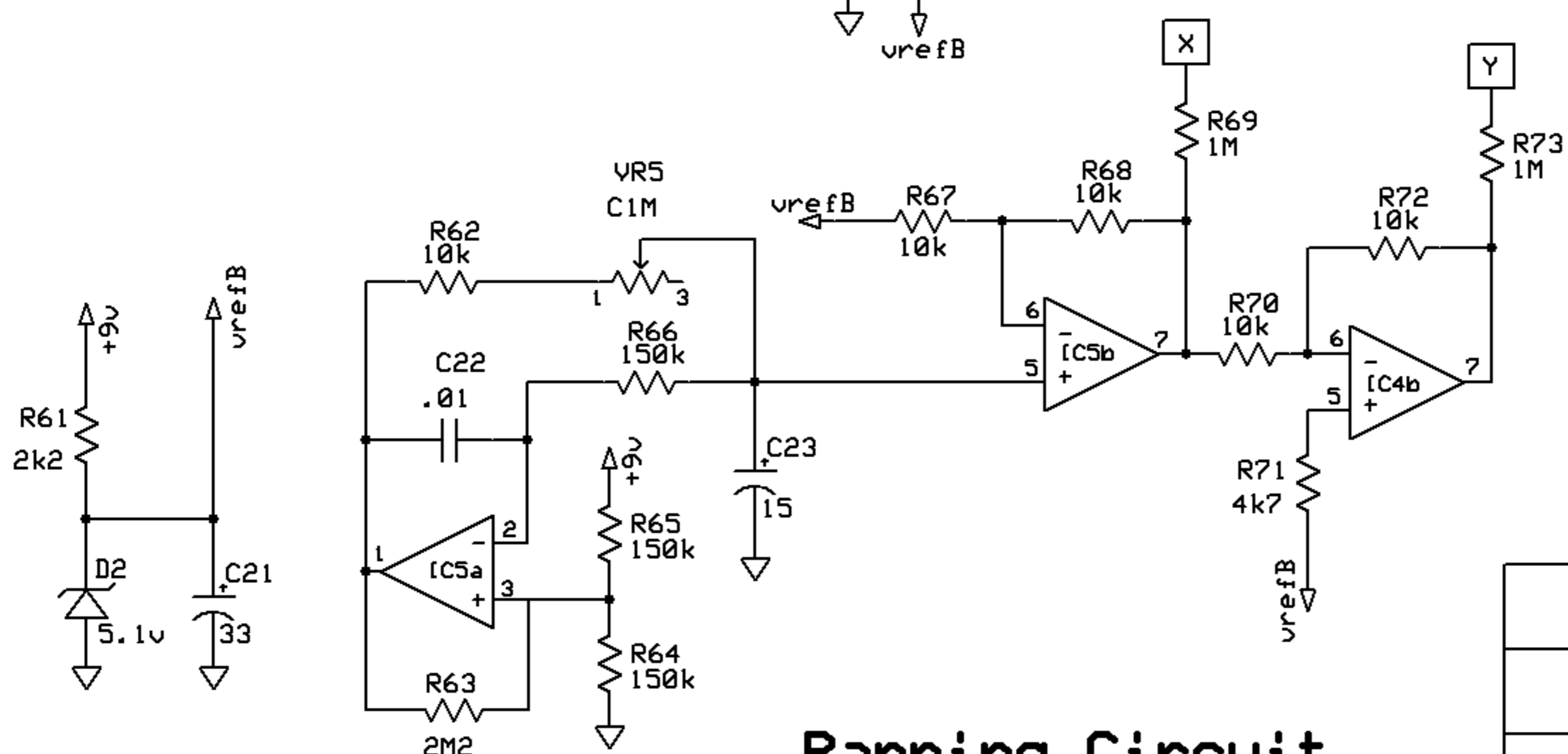


Q5, 8, 9 = 2N3904  
 Q6, 7 = 2N5952  
 IC4, 5 = TL022



**Panning Circuit**

|                             |           |             |
|-----------------------------|-----------|-------------|
| <b>Build Your Own Clone</b> |           |             |
| <b>Soaring Skillet</b>      |           |             |
| K. Vanderhulls              | Rev 1.0   | Page 3 of 3 |
|                             | 7/13/2012 |             |